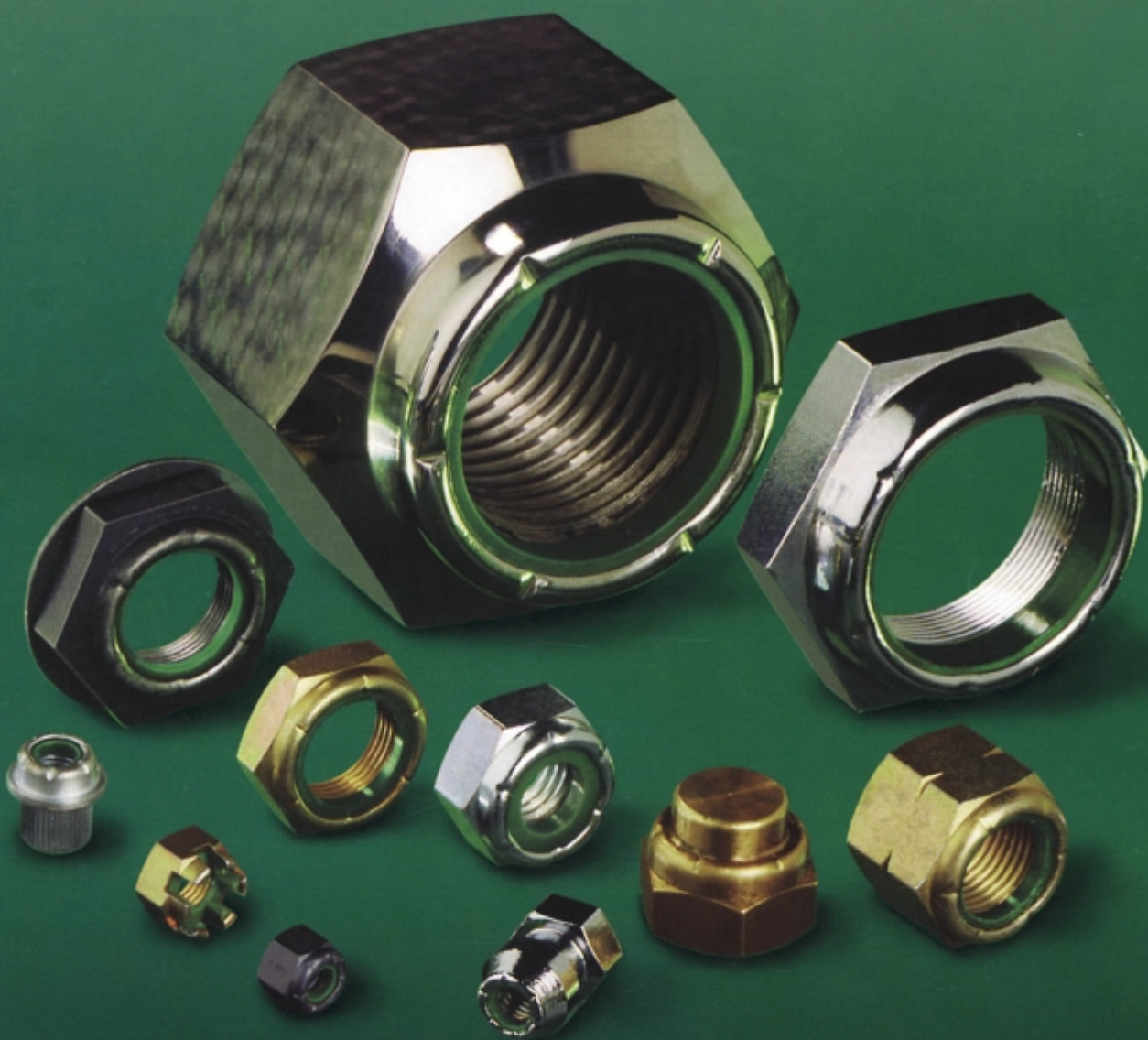


GREER STOP NUT™



SPS
TECHNOLOGIES

INDUSTRIAL & MILITARY

CONTENTS

Nylon Insert Locknuts	3
AN - MS - NAS - MIL Interchangeability Table	4 - 11
AN363 - Nut, Self-Locking	12, 13
AN364 - Nut, Self-Locking, Thin	14, 15
AN365 - Nut, Self-Locking	16, 17
MS16228 - Nut, Self-Locking, Hexagon - Thin	18, 19
MS17825 - Nut, Self-Locking, Castellated, Hexagon	20, 21
MS17826 - Nut, Self-Locking, Castellated, Hexagon, Thin	22, 23
MS17828 - Nut, Self-Locking, Hexagon, Regular Height	24, 25
MS17829 - Nut, Self-Locking, Hexagon, Regular Height	26, 27
MS17830 - Nut, Self-Locking, Hexagon, Regular Height	28, 29
MS20364 - Nut, Self-Locking, Hexagon, Thin	30, 31
MS20365 - Nut, Self-Locking	32, 33
MS21044 - Nut, Self-Locking, Hexagon, Regular Height	34, 35
MS21045 - Nut, Self-Locking, Hexagon, Regular Height	36, 37
MS21046 - Nut, Self-Locking, Hexagon, Regular Height	38, 39
MS21083 - Nut, Self-Locking, Hexagon, Low Height	40, 41
MS21224 - Nut, Self-Locking, Castellated, Hexagon, Counterbored	42, 43
MS51866 - Nut, Self-Locking, Spline - General Purpose	44, 45
NAS1021 - Nut, Self-Locking	46, 47
NAS1022 - Nut, Self-Locking, Hexagon - Low Height, Low Strength	48, 49
MIL-N-45938/5 - Nut, Self-Locking, Clinch, Swage - Clinching, Knurled Shank	50, 51
MIL-N-45938/8A - Nut, Self-Locking, Clinch, Swage - Clinching, Knurled Shank	52, 53
MIL-N-45938/9A - Nut, Self-Locking, Clinch, Swage - Clinching, Knurled Shank	54, 55
MIL-N-25027/1 - Nut, Self-Locking, Hexagon, Heavy	56

PRODUCT LINES

Nylon Insert Locknuts

Conelock Nuts

Hex Nuts

Huglock Nuts

Marsden Nuts

Microflex Nuts

Screw Machine Parts

Slotted Nuts

Special Nuts

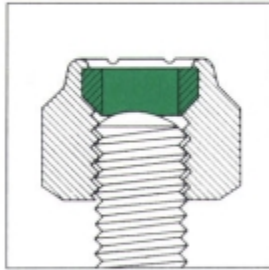
Spirallock Nuts

Nylon Insert Locknuts

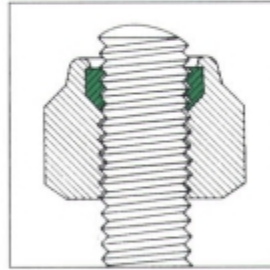
HOW THEY WORK

The molded Green nylon insert is the locking element in Greer locknuts. The internal diameter of the insert is a computer-determined degree smaller than the bolt thread and the external diameter is large enough to fit tightly under a rolled over, crimped metal collar.

The resiliency of Greer's nylon collar prevents the threads of the bolt from cutting the collar. The bolt threads become impressed into the nylon forming a tight grip and preventing the nut from rotating free, even under severe shock and vibration



Bolt engagement with Greer nut



Bolt being driven into Greer nut

Note that the driving torque creates a degree of metal-to-metal thread engagement along the upper flanks of the threads as the bolt is started into the nut. No matter how severe the vibration, the nylon collar exerts constant pressure against the threads on the bolt . . . not only where the bolt is engaged with the nylon, but along the entire metal-to-metal thread engagement. As the bolt enters the nylon, a downward pressure is created. The pressure forces

the nut axially downward until the thread flanks of the nut and bolt are in close frictional contact. Thus locking occurs along the entire length of the threads.

HOW THEY LOOK



HOW THEY'RE MADE

Greer's green nylon insert collar is completely unaffected by most organic acids, oils, greases and common solvents and mineral acids. In service, Greer's nylon insert is subjected to the highly abrasive action of mating fasteners with nicked threads, together with the normal application of high impact loads.

Green Nylon Insert Locknuts are available in a variety of finishes, platings and materials to meet the demands of the most rigid applications. All Greer nylon insert locknuts meet MS, MIL, AN, and NAS specs. For complete information call your local Greer locknut distributor, or call Greer direct at (615) 832-8375.

GREER

NYLON-INSERT LOCKNUTS

INTERCHANGEABILITY

AN,MS,NAS,MIL PART #	GREER PART #	AN,MS,NAS,MIL PART #	GREER PART #	AN,MS,NAS,MIL PART #	GREER PART #
AN363-632	F22MXM-632	AN364-1018	F52NTE-1018	AN364-D428	68NTE-428
AN363-832	F22MXM-832	AN364-1018A	F52NTE-1018	AN364-D428A	68NTE-428
AN363-1032	F22MXM-1032	AN364-1216	F52NTE-1216	AN364-D524	68NTE-524
AN363-428	F22MXE-428	AN364-1216A	F52NTE-1216	AN364-D524A	68NTE-524
AN363-524	F22MXE-524	AN364-1414	F52NTE-1414	AN364-D624	68NTE-624
AN363-624	F22MXE-624	AN364-1414A	F52NTE-1414	AN364-D624A	68NTE-624
AN363-720	F52MXE-720	AN364-1614	F52NTE-1614	AN364-D720	68NTE-720
AN363-820	F52MXE-820	AN364-1614A	F52NTE-1614	AN364-D720A	68NTE-720
AN363-918	F52MXE-918	AN364-1812	F52NTE-1812	AN364-D820	68NTE-820
AN363-1018	F52MXE-1018	AN364-1812A	F52NTE-1812	AN364-D820A	68NTE-820
AN363-1216	F52MXE-1216	AN364-2012	F52NTE-2012	AN364-D918	68NTE-918
		AN364-2012A	F52NTE-2012	AN364-D918A	68NTE-918
				AN364-D1018	68NTE-1018
AN363-C632	L79MXM-632			AN364-D1018A	68NTE-1018
AN363-C832	L79MXM-832	AN364-B1032	Y92NTM-1032	AN364-D1216	68NTE-1216
AN363-C1032	L79MXM-1032	AN364-B1032A	Y92NTM-1032	AN364-D1216A	68NTE-1216
AN363-C428	L79MXE-428	AN364-B428	Y92NTE-428	AN364-D1414	68NTE-1414
AN363-C524	L79MXE-524	AN364-B428A	Y92NTE-428	AN364-D1414A	68NTE-1414
AN363-C624	L79MXE-624	AN364-B524	Y92NTE-524	AN364-D1614	68NTE-1614
AN363-C720	L79MXE-720	AN364-B524A	Y92NTE-524	AN364-D1614A	68NTE-1614
AN363-C820	L79MXE-820	AN364-B624	Y92NTE-624	AN364-D1812	68NTE-1812
AN363-C918	L79MXE-918	AN364-B624A	Y92NTE-624	AN364-D1812A	68NTE-1812
AN363-C1018	L79MXE-1018	AN364-B720	Y92NTE-720	AN364-D2012	68NTE-2012
AN363-C1216	L79MXE-1216	AN364-B720A	Y92NTE-720	AN364-D2012A	68NTE-2012
		AN364-B820	Y92NTE-820		
AN364-632	F22NTM-632	AN364-B820A	Y92NTE-820		
AN364-632A	F22NTM-632	AN364-B918	Y92NTE-918	AN365-440	F22NM-440
AN364-832	F22NTM-832	AN364-B918A	Y92NTE-918	AN365-440A	F22NM-440
AN364-832A	F22NTM-832	AN364-B1018	Y92NTE-1018	AN365-632	F22NM-632
AN364-1032	F22NTM-1032	AN364-B1018A	Y92NTE-1018	AN365-632A	F22NM-632
AN364-1032A	F22NTM-1032	AN364-B1216	Y92NTE-1216	AN365-832	F22NM-832
AN364-428	F52NTE-428	AN364-B1216A	Y92NTE-1216	AN365-832A	F22NM-832
AN364-428A	F52NTE-428	AN364-B1414	Y92NTE-1414	AN365-1032	F22NM-1032
AN364-524	F52NTE-524	AN364-B1414A	Y92NTE-1414	AN365-1032A	F22NM-1032
AN364-524A	F52NTE-524	AN364-B1614	Y92NTE-1614	AN365-428	F42NE-428
AN364-624	F52NTE-624	AN364-B1614A	Y92NTE-1614	AN365-428A	F42NE-428
AN364-624A	F52NTE-624			AN365-524	F42NE-524
AN364-720	F52NTE-720	AN364-D632	68NTM-632	AN365-524A	F42NE-524
AN364-720A	F52NTE-720	AN364-D632A	68NTM-632	AN365-624	F52NE-624
AN364-820	F52NTE-820	AN364-D832	68NTM-832	AN365-624A	F52NE-624
AN364-820A	F52NTE-820	AN364-D832A	68NTM-832	AN365-720	F52NE-720
AN364-918	F52NTE-918	AN364-D1032	68NTM-1032	AN365-720A	F52NE-720
AN364-918A	F52NTE-918	AN364-D1032A	68NTM-1032		

THE ABOVE LISTING IS FOR REFERENCE PURPOSES ONLY. CONSULT YOUR SALES REPRESENTATIVE FOR QUALIFICATION STATUS AND AVAILABILITY.

GREER**NYLON-INSERT LOCKNUTS****INTERCHANGEABILITY**

AN,MS,NAS,MIL PART #	GREER PART #	AN,MS,NAS,MIL PART #	GREER PART #	AN,MS,NAS,MIL PART #	GREER PART #
AN365-820	F52NE-820	AN365-B1414	Y92NE-1414	MS16228-4C	L79NTU-420
AN365-820A	F52NE-820	AN365-B1414A	Y92NE-1414	MS16228-5C	L79NTU-518
AN365-918	F52NE-918	AN365-B1614	Y92NE-1614	MS16228-6C	L79NTU-616
AN365-918A	F52NE-918	AN365-B1614A	Y92NE-1614	MS16228-7C	L79NTU-714
AN365-1018	F52NE-1018	AN365-B1812	Y92NE-1812	MS16228-8C	L79NTU-813
AN365-1018A	F52NE-1018	AN365-B1812A	Y92NE-1812	MS16228-10C	L79NTU-1011
AN365-1216	F52NE-1216	AN365-B2012	Y92NE-2012	MS16228-12C	L79NTU-1210
AN365-1216A	F52NE-1216	AN365-B2012A	Y92NE-2012	MS16228-16C	L79NTU-1608
AN365-1414	F52NE-1414				
AN365-1414A	F52NE-1414	AN365-D440	68NM-440	MS17825-3	F12NMC-1032
AN365-1614	F52NE-1614	AN365-D440A	68NM-440	MS17825-4	F12NEC-428
AN365-1614A	F52NE-1614	AN365-D632	68NM-632	MS17825-5	F12NEC-524
AN365-1812	F52NE-1812	AN365-D632A	68NM-632	MS17825-6	F12NEC-624
AN365-1812A	F52NE-1812	AN365-D832	68NM-832	MS17825-7	F12NEC-720
AN365-2012	F52NE-2012	AN365-D832A	68NM-832	MS17825-8	F12NEC-820
AN365-2012A	F52NE-2012	AN365-D1032	68NM-1032	MS17825-9	F12NEC-918
		AN365-D1032A	68NM-1032	MS17825-10	F12NEC-1018
AN365-B440	Y92NM-440	AN365-D428	68NE-428	MS17825-12	F12NEC-1216
AN365-B440A	Y92NM-440	AN365-D428A	68NE-428	MS17825-14	F12NEC-1414
AN365-B632	Y92NM-632	AN365-D524	68NE-524	MS17825-16	F12NEC-1612
AN365-B632A	Y92NM-632	AN365-D524A	68NE-524	MS17825-18	F12NEC-1812
AN365-B832	Y92NM-832	AN365-D624	68NE-624	MS17825-20	F12NEC-2012
AN365-B832A	Y92NM-832	AN365-D624A	68NE-624		
AN365-B1032	Y92NM-1032	AN365-D720	68NE-720	MS17826-3	F12NTEC-1032
AN365-B1032A	Y92NM-1032	AN365-D720A	68NE-720	MS17826-4	F12NTEC-428
AN365-B428	Y92NE-428	AN365-D820	68NE-820	MS17826-5	F12NTEC-524
AN365-B428A	Y92NE-428	AN365-D820A	68NE-820	MS17826-6	F12NTEC-624
AN365-B524	Y92NE-524	AN365-D918	68NE-918	MS17826-7	F12NTEC-720
AN365-B524A	Y92NE-524	AN365-D918A	68NE-918	MS17826-8	F12NTEC-820
AN365-B624	Y92NE-624	AN365-D1018	68NE-1018	MS17826-9	F12NTEC-918
AN365-B624A	Y92NE-624	AN365-D1018A	68NE-1018	MS17826-10	F12NTEC-1018
AN365-B720	Y92NE-720	AN365-D1216	68NE-1216	MS17826-12	F12NTEC-1216
AN365-B720A	Y92NE-720	AN365-D1216A	68NE-1216	MS17826-14	F12NTEC-1414
AN365-B820	Y92NE-820	AN365-D1414	68NE-1414	MS17826-16	F12NTEC-1612
AN365-B820A	Y92NE-820	AN365-D1414A	68NE-1414	MS17826-18	F12NTEC-1812
AN365-B918	Y92NE-918	AN365-D1614	68NE-1614	MS17826-20	F12NTEC-2012
AN365-B918A	Y92NE-918	AN365-D1614A	68NE-1614		
AN365-B1018	Y92NE-1018	AN365-D1812	68NE-1812	MS17828-04C	09NM-440
AN365-B1018A	Y92NE-1018	AN365-D1812A	68NE-1812	MS17828-06C	09NM-632
AN365-B1216	Y92NE-1216	AN365-D2012	68NE-2012	MS17828-08C	09NM-832
AN365-B1216A	Y92NE-1216	AN365-D2012A	68NE-2012	MS17828-3C	09NM1024
				MS17828-3F	09NM-1032

THE ABOVE LISTING IS FOR REFERENCE PURPOSES ONLY. CONSULT YOUR SALES REPRESENTATIVE FOR QUALIFICATION STATUS AND AVAILABILITY.

GREER**NYLON-INSERT LOCKNUTS****INTERCHANGEABILITY**

AN,MS,NAS,MIL PART #	GREER PART #	AN,MS,NAS,MIL PART #	GREER PART #	AN,MS,NAS,MIL PART #	GREER PART #
MS17828-4C	09NE-420	MS17829-8C	F52N7582-813	MS17830-24C	L79NE-2406
MS17828-4F	09NE-428	MS17829-8F	F52N7582-820	MS17830-28C	L79NU-2805
MS17828-5C	09NE-518	MS17829-9C	F52N7582-912	MS17830-32C	L79NU-3204
MS17828-5F	09NE-524	MS17829-9F	F52N7582-918	MS17830-36C	L79NU-3604
MS17828-6C	09NE-616	MS17829-10C	F52N7582-1011	MS17830-40C	L79NU-4004
MS17828-6F	09NE-624	MS17829-10F	F52N7582-1018		
MS17828-7C	09NE-714U	MS17829-12C	F52N7582-1210	MS20364--632	F22NTM-632
MS17828-7F	09NE-720U	MS17829-12F	F52N7582-1216	MS20364-632A	F22NTM-632
MS17828-8C	09NE-813	MS17829-14C	F52N7582-1409	MS20364-832	F22NTM-832
MS17828-8F	09NE-820	MS17829-14F	F52N7582-1414	MS20364-832A	F22NTM-832
MS17828-9C	09NE-912	MS17829-16C	F52N7582-1608	MS20364-1032	F22NTM-1032
MS17828-9F	09NE-918	MS17829-16F	F52N7582-1612	MS20364-1032A	F22NTM-1032
MS17828-10C	09NE-1011	MS17829-18C	F52N7582-1807	MS20364-428	F52NTE-428
MS17828-10F	09NE-1018	MS17829-18F	F52N7582-1812	MS20364-428A	F52NTE-428
MS17828-12C	09NE-1210	MS17829-20C	F52N7582-2007	MS20364-524	F52NTE-524
MS17828-12F	09NE-1216	MS17829-20F	F52N7582-2012	MS20364-524A	F52NTE-524
MS17828-14C	09NE-1409	MS17829-22C	F52N7582-2206	MS20364-624	F52NTE-624
MS17828-14F	09NE-1414	MS17829-22F	F52N7582-2212	MS20364-624A	F52NTE-624
MS17828-16C	09NE-1608	MS17829-24C	F52N7582-2406	MS20364-720	F52NTE-720
MS17828-16F	09NE-1612	MS17829-24F	F52N7582-2412	MS20364-720A	F52NTE-720
MS17828-18C	09NE-1807	MS17829-28C	F52N7582-2805	MS20364-820	F52NTE-820
MS17828-18F	09NE-1812	MS17829-32C	F52N7582-3204	MS20364-820A	F52NTE-820
MS17828-20C	09NE-2007	MS17829-36C	F52N7582-3604	MS20364-918	F52NTE-918
MS17828-20F	09NE-2012	MS17829-40C	F52N7582-4004	MS20364-918A	F52NTE-918
MS17828-22C	09NE-2206			MS20364-1018	F52NTE-1018
MS17828-22F	09NE-2212	MS17830-04C	L79NM-440	MS20364-1018A	F52NTE-1018
MS17828-24C	09NE-2406	MS17830-06C	L79NM-632	MS20364-1216	F52NTE-1216
MS17828-24F	09NE-2412	MS17830-08C	L79NM-832	MS20364-1216A	F52NTE-1216
MS17828-28C	09NU-2805	MS17830-3C	L79NM-1024	MS20364-1414	F52NTE-1414
MS17828-32C	09NU-3204	MS17830-4C	L79NE-420	MS20364-1414A	F52NTE-1414
MS17828-36C	09NU-3604	MS17830-5C	L79NE-518	MS20364-1614	F52NTE-1614
MS17828-40C	09NU-4004	MS17830-6C	L79NE-616	MS20364-1614A	F52NTE-1614
		MS17830-7C	L79NE-714U	MS20364-1812	F52NTE-1812
MS17829-3C	F52N7582-1024	MS17830-8C	L79NE-813	MS20364-1812A	F52NTE-1812
MS17829-4C	F52N7582-420	MS17830-9C	L79NE-912	MS20364-2012	F52NTE-2012
MS17829-4F	F52N7582-428	MS17830-10C	L79NE-1011	MS20364-2012A	F52NTE-2012
MS17829-5C	F52N7582-518	MS17830-12C	L79NE-1210		
MS17829-5F	F52N7582-524	MS17830-14C	L79NE-1409	MS20364-B1032	Y92NTM-1032
MS17829-6C	F52N7582-616	MS17830-16C	L79NE-1608	MS20364-B1032A	Y92NTM-1032
MS17829-6F	F52N7582-624	MS17830-18C	L79NE-1807	MS20364-B428	Y92NTE-428
MS17829-7C	F52N7582-714U	MS17830-20C	L79NE-2007	MS20364-B428A	Y92NTE-428
MS17829-7F	F52N7582-720U	MS17830-22C	L79NE-2206	MS20364-B524	Y92NTE-524
				MS20364-B524A	Y92NTE-524

THE ABOVE LISTING IS FOR REFERENCE PURPOSES ONLY. CONSULT YOUR SALES REPRESENTATIVE FOR QUALIFICATION STATUS AND AVAILABILITY.

GREER**NYLON-INSERT LOCKNUTS****INTERCHANGEABILITY**

AN,MS,NAS,MIL PART #	GREER PART #	AN,MS,NAS,MIL PART #	GREER PART #	AN,MS,NAS,MIL PART #	GREER PART #
MS20364-B624	Y92NTE-624	MS20364-D1414	68NTE-1414	MS20365-B440	Y92NM-440
MS20364-B624A	Y92NTE-624	MS20364-D1414A	68NTE-1414	MS20365-B440A	Y92NM-440
MS20364-B720	Y92NTE-720	MS20364-D1614	68NTE-1614	MS20365-B632	Y92NM-632
MS20364-B720A	Y92NTE-720	MS20364-D1614A	68NTE-1614	MS20365-B632A	Y92NM-632
MS20364-B820	Y92NTE-820	MS20364-D1812	68NTE-1812	MS20365-B832	Y92NM-832
MS20364-B820A	Y92NTE-820	MS20364-D1812A	68NTE-1812	MS20365-B832A	Y92NM-832
MS20364-B918	Y92NTE-918	MS20364-D2012	68NTE-2012	MS20365-B1032	Y92NM-1032
MS20364-B918A	Y92NTE-918	MS20364-D2012A	68NTE-2012	MS20365-B1032A	Y92NM-1032
MS20364-B1018	Y92NTE-1018			MS20365-B428	Y92NE-428
MS20364-B1018A	Y92NTE-1018	MS20365-440	F22NM-440	MS20365-B428A	Y92NE-428
MS20364-B1216	Y92NTE-1216	MS20365-440A	F22NM-440	MS20365-B524	Y92NE-524
MS20364-B1216A	Y92NTE-1216	MS20365-632	F22NM-632	MS20365-B524A	Y92NE-524
MS20364-B1414	Y92NTE-1414	MS20365-632A	F22NM-632	MS20365-B624	Y92NE-624
MS20364-B1414A	Y92NTE-1414	MS20365-832	F22NM-832	MS20365-B624A	Y92NE-624
MS20364-B1614	Y92NTE-1614	MS20365-832A	F22NM-832	MS20365-B720	Y92NE-720
MS20364-B1614A	Y92NTE-1614	MS20365-1032	F22NM-1032	MS20365-B720A	Y92NE-720
MS20364-B1812	Y92NTE-1812	MS20365-1032A	F22NM-1032	MS20365-B820	Y92NE-820
MS20364-B1812A	Y92NTE-1812	MS20365-428	F42NE-428	MS20365-B820A	Y92NE-820
MS20364-B2012	Y92NTE-2012	MS20365-428A	F42NE-428	MS20365-B-918	Y92NE-918
MS20364-B2012A	Y92NTE-2012	MS20365-524	F42NE-524	MS20365-B918A	Y92NE-918
		MS20365-524A	F42NE-524	MS20365-B1018	Y92NE-1018
MS20364-D632	68NTM-632	MS20365-624	F52NE-624	MS20365-B1018A	Y92NE-1018
MS20364-D632A	68NTM-632	MS20365-624A	F52NE-624	MS20365-B1216	Y92NE-1216
MS20364-D832	68NTM-832	MS20365-720	F52NE-720	MS20365-B1216A	Y92NE-1216
MS20364-D832A	68NTM-832	MS20365-720A	F52NE-720	MS20365-B1414	Y92NE-1414
MS20364-D1032	68NTM-1032	MS20365-820	F52NE-820	MS20365-B1414A	Y92NE-1414
MS20364-D1032A	68NTM-1032	MS20365-820A	F52NE-820	MS20365-B1614	Y92NE-1614
MS20364-D428	68NTE-428	MS20365-918	F52NE-918	MS20365-B1614A	Y92NE-1614
MS20364-D428A	68NTE-428	MS20365-918A	F52NE-918	MS20365-B1812	Y92NE-1812
MS20364-D524	68NTE-524	MS20365-1018	F52NE-1018	MS20365-B1812A	Y92NE-1812
MS20364-D524A	68NTE-524	MS20365-1018A	F52NE-1018	MS20365-B2012	Y92NE-2012
MS20364-D624	68NTE-624	MS20365-1216	F52NE-1216	MS20365-B2012A	Y92NE-2012
MS20364-D624A	68NTE-624	MS20365-1216A	F52NE-1216		
MS20364-D720	68NTE-720	MS20365-1414	F52NE-1414	MS20365-D440	68NM-440
MS20364-D720A	68NTE-720	MS20365-1414A	F52NE-1414	MS20365-D440A	68NM-440
MS20364-D820	68NTE-820	MS20365-1614	F52NE-1614	MS20365-D632	68NM-632
MS20364-D820A	68NTE-820	MS20365-1614A	F52NE-1614	MS20365-D632A	68NM-632
MS20364-D918	68NTE-918	MS20365-1812	F52NE-1812	MS20365-D832	68NM-832
MS20364-D918A	68NTE-918	MS20365-1812A	F52NE-1812	MS20365-D832A	68NM-832
MS20364-D1018	68NTE-1018	MS20365-2012	F52NE-2012	MS20365-D1032	68NM-1032
MS20364-D1018A	68NTE-1018	MS20365-2012A	F52NE-2012	MS20365-D1032A	68NM-1032
MS20364-D1216	68NTE-1216				
MS20364-D1216A	68NTE-1216				

THE ABOVE LISTING IS FOR REFERENCE PURPOSES ONLY. CONSULT YOUR SALES REPRESENTATIVE FOR QUALIFICATION STATUS AND AVAILABILITY.

GREER**NYLON-INSERT LOCKNUTS****INTERCHANGEABILITY**

AN,MS,NAS,MIL PART #	GREER PART #	AN,MS,NAS,MIL PART #	GREER PART #	AN,MS,NAS,MIL PART #	GREER PART #
MS20365-D428	68NE-428	MS21044-C02	L79NM-256	MS21044-N6	F52NE-624
MS20365-D428A	68NE-428	MS21044-C04	L79NM-440	MS21044-N7	F52NE-720U
MS20365-D524	68NE-524	MS21044-C06	L79NM-632	MS21044-N8	F52NE-820
MS20365-D524A	68NE-524	MS21044-C08	L79NM-832	MS21044-N9	F52NE-918
MS20365-D624	68NE-624	MS21044-C3	L79NM-1032	MS21044-N10	F52NE-1018
MS20365-D624A	68NE-624	MS21044-C4	L79NE-428	MS21044-N12	F52NE-1216
MS20365-D720	68NE-720	MS21044-C5	L79NE-524	MS21044-N14	F52NE-1414
MS20365-D720A	68NE-720	MS21044-C6	L79NE-624	MS21044-N16	F52NE-1612
MS20365-D820	68NE-820	MS21044-C7	L79NE-720U	MS21044-N18	F52NE-1812
MS20365-D820A	68NE-820	MS21044-C8	L79NE-820	MS21044-N20	F52NE-2012
MS20365-D918	68NE-918	MS21044-C9	L79NE-918		
MS20365-D918A	68NE-918	MS21044-C10	L79NE-1018	MS21045-04	F22MXM-440
MS20365-D1018	68NE-1018	MS21044-C12	L79NE-1216	MS21045-04S	F22MXM-440
MS20365-D1018A	68NE-1018	MS21044-C14	L79NE-1414	MS21045-06	F22MXM-632
MS20365-D1216	68NE-1216	MS21044-C16	L79NE-1612	MS21045-06S	F22MXM-632
MS20365-D1216A	68NE-1216	MS21044-C18	L79NE-1812	MS21045-08	F22MXM-832
MS20365-D1414	68NE-1414	MS21044-C20	L79NE-2012	MS21045-08S	F22MXM-832
MS20365-D1414A	68NE-1414			MS21045-3	F22MXM-1032
MS20365-D1614	68NE-1614	MS21044-D02	NMJ-256	MS21045-3S	F22MXM-1032
MS20365-D1614A	68NE-1614	MS21044-D04	NMJ-440	MS21045-4	F22MXE-428
MS20365-D1812	68NE-1812	MS21044-D06	NMJ-632	MS21045-4S	F22MXE-428
MS20365-D1812A	68NE-1812	MS21044-D08	NMJ-832	MS21045-5	F22MXE-524
MS20365-D2012	68NE-2012	MS21044-D3	NMJ-1032	MS21045-5S	F22MXE-524
MS20365-D2012A	68NE-2012	MS21044-D4	NMJ-428	MS21045-6	F22MXE-624
		MS21044-D5	68NE-524	MS21045-6S	F22MXE-624
MS21044-B02	Y92NM-256	MS21044-D6	68NE-624	MS21045-7	F52MXE-720U
MS21044-B04	Y92NM-440	MS21044-D7	68NE-720U	MS21045-7S	F52MXE-720U
MS21044-B06	Y92NM-632	MS21044-D8	68NE-820	MS21045-8	F52MXE-820
MS21044-B08	Y92NM-832	MS21044-D9	68NE-918	MS21045-8S	F52MXE-820
MS21044-B3	Y92NM-1032	MS21044-D10	68NE-1018	MS21045-10	F52MXE-1018
MS21044-B4	Y92NE-428	MS21044-D12	68NE-1216	MS21045-10S	F52MXE-1018
MS21044-B5	Y92NE-524	MS21044-D14	68NE-1414	MS21045-12	F52MXE-1216
MS21044-B6	Y92NE-624	MS21044-D16	68NE-1612	MS21045-12S	F52MXE-1216
MS21044-B7	Y92NE-720U	MS21044-D18	68NE-1812	MS21045-14	F52MXE-1414
MS21044-B8	Y92NE-820	MS21044-D20	68NE-2012	MS21045-14S	F52MXE-1414
MS21044-B9	Y92NE-918			MS21045-16	F52MXE-1612
MS21044-B10	Y92NE-1018	MS21044-N02	F22NM-256	MS21045-16S	F52MXE-1612
MS21044-B12	Y92NE-1216	MS21044-N04	F22NM-440	MS21045-18	F52MXE-1812
MS21044-B14	Y92NE-1414	MS21044-N06	F22NM-632	MS21045-18S	F52MXE-1812
MS21044-B16	Y92NE-1612	MS21044-N08	F22NM-832	MS21045-20	F52MXE-2012
MS21044-B18	Y92NE-1812	MS21044-N3	F22NM-1032	MS21045-20S	F52MXE-2012
MS21044-B20	Y92NE-2012	MS21044-N4	F42NE-428		
		MS21044-N5	F42NE-524		

THE ABOVE LISTING IS FOR REFERENCE PURPOSES ONLY. CONSULT YOUR SALES REPRESENTATIVE FOR QUALIFICATION STATUS AND AVAILABILITY.

GREER

NYLON-INSERT LOCKNUTS

INTERCHANGEABILITY

AN,MS,NAS,MIL PART #	GREER PART #	AN,MS,NAS,MIL PART #	GREER PART #	AN,MS,NAS,MIL PART #	GREER PART #
MS21046-C04	70MXM-440	MS21083-B9	Y92NTE-918	MS21083-D14	68NTE-1414
MS21046-C04S	70MXM-440	MS21083-B10	Y92NTE-1018	MS21083-D16	68NTE-1612
MS21046-C06	70MXM-632	MS21083-B12	Y92NTE-1216	MS21083-D18	68NTE-1812
MS21046-C06S	70MXM-632	MS21083-B14	Y92NTE-1414	MS21083-D20	68NTE-2012
MS21046-C08	70MXM-832	MS21083-B16	Y92NTE-1612	MS21083-D22	68NTE-2212
MS21046-C08S	70MXM-832	MS21083-B18	Y92NTE-1812	MS21083-D24	68NTE-2412
MS21046-C3	70MXM-1032	MS21083-B20	Y92NTE-2012		
MS21046-C3S	70MXM-1032	MS21083-B22	Y92NTE-2212	MS21083-N02	F22NTM-256
MS21046-C4	70MXE-428	MS21083-B24	Y92NTE-2412	MS21083-N04	F22NTM-440
MS21046-C4S	70MXE-428			MS21083-N06	F22NTM-632
MS21046-C5	70MXE-524	MS21083-C02	L79NTM-256	MS21083-N08	F22NTM-832
MS21046-C5S	70MXE-524	MS21083-C04	L79NTM-440	MS21083-N3	F22NTM-1032
MS21046-C6	70MXE-624	MS21083-C06	L79NTM-532	MS21083-N4	F52NTE-428
MS21046-C6S	70MXE-624	MS21083-C08	L79NTM-832	MS21083-N5	F52NTE-524
MS21046-C7	70MXE-720U	MS21083-C3	L79NTM-1032	MS21083-N6	F52NTE-624
MS21046-C7S	70MXE-720U	MS21083-C4	L79NTE-428	MS21083-N7	F52NTE-720U
MS21046-C8	70MXE-820	MS21083-C5	L79NTE-524	MS21083-N8	F52NTE-820
MS21046-C8S	70MXE-820	MS21083-C6	L79NTE-624	MS21083-N9	F52NTE-918
MS21046-C9	70MXE-918	MS21083-C7	L79NTE-720U	MS21083-N10	F52NTE-1018
MS21046-C9S	70MXE-918	MS21083-C8	L79NTE-820	MS21083-N12	F52NTE-1216
MS21046-C10	70MXE-1018	MS21083-C9	L79NTE-918	MS21083-N14	F52NTE-1414
MS21046-C10S	70MXE-1018	MS21083-C10	L79NTE-1018	MS21083-N16	F52NTE-1612
MS21046-C12	70MXE-1216	MS21083-C12	L79NTE-1216	MS21083-N18	F52NTE-1812
MS21046-C12S	70MXE-1216	MS21083-C14	L79NTE-1414	MS21083-N20	F52NTE-2012
MS21046-C14	70MXE-1414	MS21083-C16	L79NTE-1612	MS21083-N22	F52NTE-2212
MS21046-C14S	70MXE-1414	MS21083-C18	L79NTE-1812	MS21083-N24	F52NTE-2412
MS21046-C16	70MXE-1612	MS21083-C20	L79NTE-2012		
MS21046-C16S	70MXE-1612	MS21083-C22	L79NTE-2212	MS21224-3	F12N7699-1032
MS21046-C18	70MXE-1812	MS21083-C24	L79NTE-2412	MS21224-4	F12N7699-428
MS21046-C18S	70MXE-1812			MS21224-5	F12N7699-524
MS21046-C20	70MXE-2012	MS21083-D02	NTMJ-256	MS21224-6	F12N7699-624
MS21046-C20S	70MXE-2012	MS21083-D04	NTMJ-440	MS21224-7	F12N7699-720
		MS21083-D06	NTMJ-632	MS21224-8	F12N7699-820
MS21083-B02	Y92NTM-256	MS21083-D08	NTMJ-832	MS21224-9	F12N7699-918
MS21083-B04	Y92NTM-440	MS21083-D3	NTMJ-1032	MS21224-10	F12N7699-1018
MS21083-B06	Y92NTM-632	MS21083-D4	NTMJ-428	MS21224-12	F12N7699-1216
MS21083-B08	Y92NTM-832	MS21083-D5	68NTE-524	MS21224-14	F12N7699-1414
MS21083-B3	Y92NTM-1032	MS21083-D6	68NTE-624	MS21224-16	F12N7699-1612
MS21083-B4	Y92NTE-428	MS21083-D7	68NTE--720U		
MS21083-B5	Y92NTE-524	MS21083-D8	68NTE-820	MS51866-1	F22ND8-832
MS21083-B6	Y92NTE-624	MS21083-D9	68NTE-918	MS51866-3	F22ND12-832
MS21083-B7	Y92NTE-720U	MS21083-D10	68NTE-1018	MS51866-8	F22ND8-1032
MS21083-B8	Y92NTE-820	MS21083-D12	68NTE-1216	MS51866-10	F22ND12-1032

THE ABOVE LISTING IS FOR REFERENCE PURPOSES ONLY. CONSULT YOUR SALES REPRESENTATIVE FOR QUALIFICATION STATUS AND AVAILABILITY.

GREER**NYLON-INSERT LOCKNUTS****INTERCHANGEABILITY**

AN,MS,NAS,MIL PART #	GREER PART #	AN,MS,NAS,MIL PART #	GREER PART #	AN,MS,NAS,MIL PART #	GREER PART #
MS51866-14	F22ND20-1032	NAS1021-D10	68NE-1018	NAS1022-D06	NTMJ-632
MS51866-18	F42ND12-428	NAS1021-D12	68NE-1216	NAS1022-D08	NTMJ-832
MS51866-20	F42ND16-428	NAS1021-D14	68NE-1414	NAS1022-D3	NTMJ-1032
MS51866-23	F42ND24-428	NAS1021-D16	68NE-1612	NAS1022-D4	NTMJ-428
MS51866-27	F42ND12-524	NAS1021-D17	68NE-1614	NAS1022-D5	68NTE-524
MS51866-29	F42ND16-524	NAS1021-D18	68NE-1812	NAS1022-D6	68NTE-624
MS51866-32	F42ND24-524	NAS1021-D20	68NE-2012	NAS1022-D7	68NTE-720U
MS51866-35	F42ND12-624			NAS1022-D8	68NTE-820
MS51866-37	F42ND16-624	NAS1021-N04	F22NM-440	NAS1022-D9	68NTE-918
MS51866-39	F42ND24-624	NAS1021-N06	F22NM-632	NAS1022-D10	68NTE-1018
MS51866-43	F42ND22-720	NAS1021-N08	F22NM-832	NAS1022-D12	68NTE-1216
MS51866-44	F42ND28-720	NAS1021-N3	F22NM-1032	NAS1022-D14	68NTE-1414
MS51866-47	F42ND24-820	NAS1021-N4	F42NE-428	NAS1022-D16	68NTE-1612
MS51866-48	F42ND28-820	NAS1021-N5	F42NE-524	NAS1022-D17	68NTE-1614
		NAS1021-N6	F52NE-624	NAS1022-D18	68NTE-1812
NAS1021-B04	Y92NM-440	NAS1021-N7	F52NE-720U	NAS1022-D20	68NTE-2012
NAS1021-B06	Y92NM-632	NAS1021-N8	F52NE-820		
NAS1021-B08	Y92NM-832	NAS1021-N9	F52NE-918	NAS1022-N06	F22NTM-632
NAS1021-B3	Y92NM-1032	NAS1021-N10	F52NE-1018	NAS1022-N08	F22NTM-832
NAS1021-B4	Y92NE-428	NAS1021-N12	F52NE-1216	NAS1022-N3	F22NTM-1032
NAS1021-B5	Y92NE-524	NAS1021-N14	F52NE-1414	NAS1022-N4	F52NTE-428
NAS1021-B6	Y92NE-624	NAS1021-N16	F52NE-1612	NAS1022-N5	F52NTE-524
NAS1021-B7	Y92NE-720U	NAS1021-N17	F52NE-1614	NAS1022-N6	F52NTE-624
NAS1021-B8	Y92NE-820	NAS1021-N18	F52NE-1812	NAS1022-N8	F52NTE-820
NAS1021-B9	Y92NE-918	NAS1021-N20	F52NE-2012	NAS1022-N9	F52NTE-918
NAS1021-B10	Y92NE-1018			NAS1022-N10	F52NTE-1018
NAS1021-B12	Y92NE-1216	NAS1022-B06	Y92NTM-632	NAS1022-N12	F52NTE-1216
NAS1021-B14	Y92NE-1414	NAS1022-B08	Y92NTM-832	NAS1022-N14	F52NTE-1414
NAS1021-B16	Y92NE-1612	NAS1022-B3	Y92NTM-1032	NAS1022-N16	F52NTE-1612
NAS1021-B17	Y92NE-1614	NAS1022-B4	Y92NTE-428	NAS1022-N17	F52NTE-1614
NAS1021-B18	Y92NE-1812	NAS1022-B5	Y92NTE-524	NAS1022-N18	F52NTE-1812
NAS1021-B20	Y92NE-2012	NAS1022-B6	Y92NTE-624	NAS1022-N20	F52NTE-2012
		NAS1022-B7	Y92NTE-720U		
NAS1021-D04	NMJ-440	NAS1022-B8	Y92NTE-820	MIL-N-25027/ 1-4C	09NU-420
NAS1021-D06	NMJ-632	NAS1022-B9	Y92NTE-918	MIL-N-25027/ 1-5C	09NU-518
NAS1021-D08	NMJ-832	NAS1022-B10	Y92NTE-1018	MIL-N-25027/ 1-6C	09NU-616
NAS1021-D3	NMJ-1032	NAS1022-B12	Y92NTE-1216	MIL-N-25027/ 1-8C	09NU-813
NAS1021-D4	NMJ-428	NAS1022-B14	Y92NTE-1414	MIL-N-25027/ 1-10C	09NU-1011
NAS1021-D5	68NE-524	NAS1022-B16	Y92NTE-1612	MIL-N-25027/ 1-12C	09NU-1210
NAS1021-D6	68NE-624	NAS1022-B17	Y92NTE-1614	MIL-N-25027/ 1-14C	09NU-1409
NAS1021-D7	68NE-720U	NAS1022-B18	Y92NTE-1812	MIL-N-25027/ 1-16C	09NU-1608
NAS1021-D8	68NE-820	NAS1022-B20	Y92NTE-2012	MIL-N-25027/ 1-18C	09NU-1807
NAS1021-D9	68NE-918			MIL-N-25027/ 1-20C	09NU-2007

THE ABOVE LISTING IS FOR REFERENCE PURPOSES ONLY. CONSULT YOUR SALES REPRESENTATIVE FOR QUALIFICATION STATUS AND AVAILABILITY.

GREER

NYLON-INSERT LOCKNUTS

INTERCHANGEABILITY

AN,MS,NAS,MIL PART #	GREER PART #	AN,MS,NAS,MIL PART #	GREER PART #	AN,MS,NAS,MIL PART #	GREER PART #
MIL-N-25027/ 1-22C	09NU-2206	MIL-N-45938/ 8A-36	F22NC6-832	MIL-N-45938/ 9A-2G	F22NC3-1032
MIL-N-25027/ 1-24C	09NU-2406	MIL-N-45938/ 8A-50	F22NC6-1024	MIL-N-45938/ 9A-3G	F22NC4-428
MIL-N-25027/ 1-28C	09NU-2805			MIL-N-45938/ 9A-4G	F22NC5-428
MIL-N-25027/ 1-32C	09NU-3204.5	MIL-N-45938/ 8A-1A	68NC2-440	MIL-N-45938/ 9A-5G	F22NC6-428
MIL-N-25027/ 1-36C	09NU-3604.5	MIL-N-45938/ 8A-2A	68NC3-632	MIL-N-45938/ 9A-6G	F22NC4-524
MIL-N-25027/ 1-40C	09NU-4004	MIL-N-45938/ 8A-3A	68NC4-532	MIL-N-45938/ 9A-7G	F22NC5-524
		MIL-N-45938/ 8A-4A	68NC4-1024	MIL-N-45938/ 9A-8G	F22NC6-524
MIL-N-45938/ 5-1	F22NCFMA1-256	MIL-N-45938/ 8A-5A	68NC5-1024	MIL-N-45938/ 9A-20G	F22NC2-1032
MIL-N-45938/ 5-2	F22NCFMA2-256	MIL-N-45938/ 8A-6A	68NC5-420	MIL-N-45938/ 9A-21G	F22NC4-1032
MIL-N-45938/ 5-3	F22NCFMA1-440	MIL-N-45938/ 8A-7A	68NC6-420	MIL-N-45938/ 9A-22G	F22NC5-1032
MIL-N-45938/ 5-4	F22NCFMA2-440	MIL-N-45938/ 8A-10A	68NC1-440	MIL-N-45938/ 9A-23G	F22NC6-1032
MIL-N-45938/ 5-5	F12NCFMA1-632	MIL-N-45938/ 8A-11A	68NC3-440		
MIL-N-45938/ 5-6	F12NCFMA2-632	MIL-N-45938/ 8A-20A	68NC1-632	MIL-N-45938/ 9A-2A	68NC3-1032
MIL-N-45938/ 5-7	F12NCFMA2-832	MIL-N-45938/ 8A-21A	68NC2-632	MIL-N-45938/ 9A-3A	68NC4-428
MIL-N-45938/ 5-8	F12NCFMA2-1032	MIL-N-45938/ 8A-30A	68NC5-632	MIL-N-45938/ 9A-4A	68NC5-428
		MIL-N-45938/ 8A-31A	68NC6-832	MIL-N-45938/ 9A-5A	68NC6-428
MIL-N-45938/ 5-1C	L79NCFMA1-256	MIL-N-45938/ 8A-32A	68NC2-832	MIL-N-45938/ 9A-6A	68NC4-524
MIL-N-45938/ 5-2C	L79NCFMA2-256	MIL-N-45938/ 8A-33A	68NC3-832	MIL-N-45938/ 9A-7A	68NC5-524
MIL-N-45938/ 5-3C	L79NCFMA1-440	MIL-N-45938/ 8A-34A	68NC4-832	MIL-N-45938/ 9A-8A	68NC6-524
MIL-N-45938/ 5-4C	L79NCFMA2-440	MIL-N-45938/ 8A-35A	68NC5-832	MIL-N-45938/ 9A-20A	68NC2-1032
MIL-N-45938/ 5-5C	L79NCFMA1-632	MIL-N-45938/ 8A-36A	68NC6-832	MIL-N-45938/ 9A-21A	68NC4-1032
MIL-N-45938/ 5-6C	L79NCFMA2-632	MIL-N-45938/ 8A-50A	68NC6-1024	MIL-N-45938/ 9A-22A	68NC5-1032
MIL-N-45938/ 5-7C	L79NCFMA2-832			MIL-N-45938/ 9A-23A	68NC6-1032
MIL-N-45938/ 5-8C	L79NCFMA2-1032	MIL-N-45938/ 8A-1C	L79NC2-440		
		MIL-N-45938/ 8A-2C	L79NC3-632	MIL-N-45938/ 9A-2	L79NC3-1032
MIL-N-45938/ 8A-1	F22NC2-440	MIL-N-45938/ 8A-3C	L79NC4-632	MIL-N-45938/ 9A-3	L79NC4-428
MIL-N-45938/ 8A-2	F22NC3-632	MIL-N-45938/ 8A-4C	L79NC4-1024	MIL-N-45938/ 9A-4	L79NC5-428
MIL-N-45938/ 8A-3	F22NC4-632	MIL-N-45938/ 8A-5C	L79NC5-1024	MIL-N-45938/ 9A-5	L79NC6-428
MIL-N-45938/ 8A-4	F22NC4-1024	MIL-N-45938/ 8A-6C	L79NC5-420	MIL-N-45938/ 9A-6	L79NC4-524
MIL-N-45938/ 8A-5	F22NC5-1024	MIL-N-45938/ 8A-7C	L79NC6-420	MIL-N-45938/ 9A-7	L79NC5-524
MIL-N-45938/ 8A-6	F22NC5-420	MIL-N-45938/ 8A-10C	L79NC1-440	MIL-N-45938/ 9A-8	L79NC6-524
MIL-N-45938/ 8A-7	F22NC6-420	MIL-N-45938/ 8A-11C	L79NC3-440	MIL-N-45938/ 9A-20	L79NC2-1032
MIL-N-45938/ 8A-10	F22NC1-440	MIL-N-45938/ 8A-20C	L79NC1-632	MIL-N-45938/ 9A-21	L79NC4-1032
MIL-N-45938/ 8A-11	F22NC3-440	MIL-N-45938/ 8A-21C	L79NC2-632	MIL-N-45938/ 9A-22	L79NC5-1032
MIL-N-45938/ 8A-20	F22NC1-632	MIL-N-45938/ 8A-30C	L79NC5-632	MIL-N-45938/ 9A-23	L79NC6-1032
MIL-N-45938/ 8A-21	F22NC2-632	MIL-N-45938/ 8A-31C	L79NC6-832		
MIL-N-45938/ 8A-30	F22NC5-632	MIL-N-45938/ 8A-32C	L79NC2-832		
MIL-N-45938/ 8A-31	F22NC6-832	MIL-N-45938/ 8A-33C	L79NC3-832		
MIL-N-45938/ 8A-32	F22NC2-832	MIL-N-45938/ 8A-34C	L79NC4-832		
MIL-N-45938/ 8A-33	F22NC3-832	MIL-N-45938/ 8A-35C	L79NC5-832		
MIL-N-45938/ 8A-34	F22NC4-832	MIL-N-45938/ 8A-36C	L79NC6-832		
MIL-N-45938/ 8A-35	F22NC5-832	MIL-N-45938/ 8A-50C	L79NC6-1024		

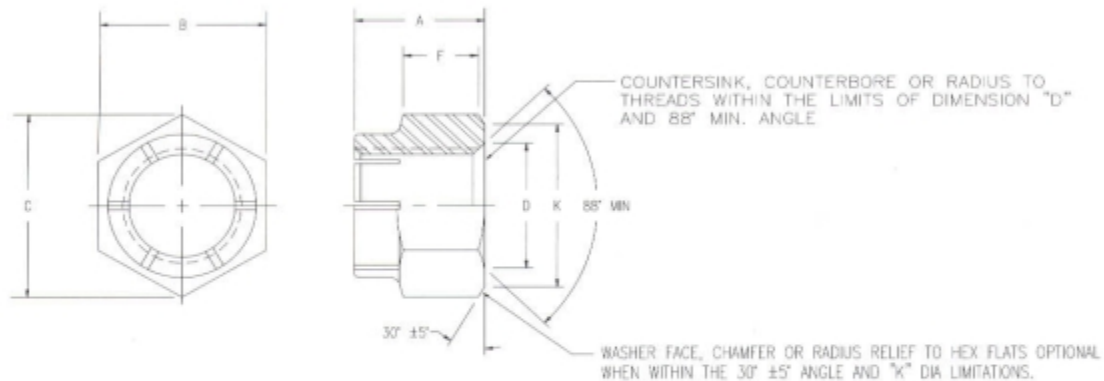
THE ABOVE LISTING IS FOR REFERENCE PURPOSES ONLY. CONSULT YOUR SALES REPRESENTATIVE FOR QUALIFICATION STATUS AND AVAILABILITY.

GREER LOCKNUTS

MXM/MXE SERIES

NUT, SELF-LOCKING

AN363



DASH#	GREER PART#	THREAD	A		B		C	D DIA		F	BEARING SURFACE SQUARENESS
			MAX	MIN	MAX	MIN	MIN	MAX	MIN	MIN	
632	MXM-632	.138-32UNC-3B	.188	.172	.314	.302	.339	.181	.141	.072	.004
832	MXM-832	.164-32UNC-3B	.250	.234	.346	.334	.374	.208	.168	.091	.004
1032	MXM-1032	.190-32UNF-3B	.250	.234	.377	.365	.410	.230	.190	.085	.004
428	MXE-428	.250-28UNF-3B	.328	.312	.440	.428	.482	.293	.253	.116	.005
524	MXE-524	.3125-24UNF-3B	.360	.344	.502	.490	.552	.356	.316	.123	.006
624	MXE-624	.375-24UNF-3B	.469	.453	.565	.553	.622	.418	.378	.153	.006
720	MXE-720	.4375-20UNF-3B	.469	.453	.627	.615	.766	.487	.447	.178	.007
820	MXE-820	.500-20UNF-3B	.610	.594	.752	.740	.837	.551	.511	.221	.007
918	MXE-918	.5625-18UNF-3B	.704	.688	.877	.865	.978	.614	.574	.243	.008
1018	MXE-1018	.625-18UNF-3B	.766	.750	.940	.928	1.051	.676	.636	.274	.008
1216	MXE-1216	.750-16UNF-3B	.891	.875	1.065	1.053	1.191	.807	.767	.316	.009

- MATERIAL: 1018 PER ASTM A29
1035 PER ASTM A29
1137 PER AMS 5020
11L37 PER AMS 5020
12L14 PER SAE J403
- FINISH: CADMIUM PLATE PER QQ-P-416, TYPE II, CLASS 2.
- LOCKING INSERT: SEGMENTED BEAM LOCK.
- THREADS: THREADS SHALL BE "RIGHT-HANDED", UNIFIED COARSE OR UNIFIED FINE IN ACCORDANCE WITH H-28, CLASS 3B FIR EXCEPT THAT A MINOR DIAMETER REQUIREMENT OF MIL-S-8879 MAY APPLY.
- TEMPERATURE: 450° F.
- PROCUREMENT SPECIFICATION: MIL-N-25027

GREER LOCKNUTS

MXM/MXE SERIES

NUT, SELF-LOCKING

AN363

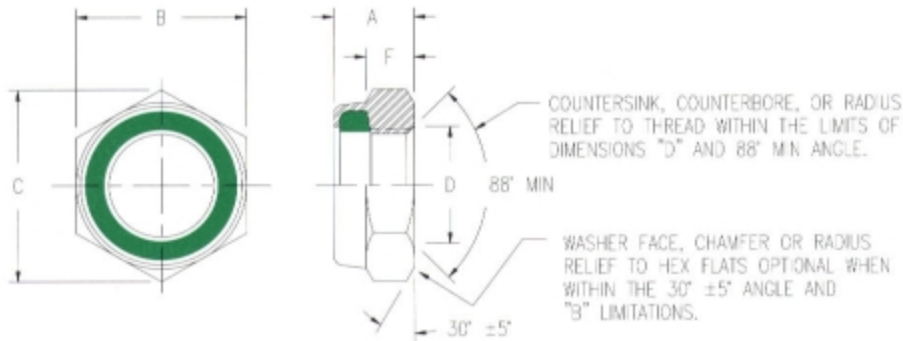
DASH NUMBERS NYLON-INSERT		GREER PART #	THREAD MIL-S-8879	AXIAL STRENGTH (LB MIN)	WEIGHT LB/100 REF	
STEEL	COPPER BASE ALLOY			STEEL	STEEL	COPPER BASE ALLOY
632	B632	MXM-632	.138-32UNC-3B	1,130	.30	.32
832	B832	MXM-832	.164-32UNC-3B	1,720	.50	.54
1032	B1032	MXM-1032	.190-32UNF-3B	2,460	.58	.63
428	B428	MXE-428	.250-28UNF-3B	4,580	.99	1.10
524	B524	MXE-524	.3125-24UNF-3B	7,390	1.40	1.50
624	B624	MXE-624	.375-24UNF-3B	11,450	2.15	2.30
720	B720	MXE-720	.4375-20UNF-3B	15,450	2.50	2.70
820	B820	MXE-820	.500-20UNF-3B	21,110	4.70	5.10
918	B918	MXE-918	.5625-18UNF-3B	26,810	7.80	8.50
1018	B1018	MXE-1018	.625-18UNF-3B	34,130	9.50	10.30
1216	B1216	MXE-1216	.750-16UNF-3B	50,020	13.60	15.00

GREER NYLON-INSERT LOCKNUTS

NTM/NTE SERIES

NUT, SELF-LOCKING, THIN

AN364



DASH#	GREER PART#	THREAD	A		B		C	D		F	BEARING SURFACE SQUARENESS
			MAX	MIN	MAX	MIN	MIN	MAX	MIN	MIN	
-632	NTM-632	*6-32 NC-2B	.141	.125	.314	.302	.339	.176	.146	.047	.004
-832	NTM-832	*8-32 NC-2B	.188	.172	.346	.334	.374	.203	.173	.062	.006
-1032	NTM-1032	10-32 NF-3B	.188	.172	.377	.365	.410	.230	.200	.062	.006
-428	NTE-428	1/4-28 UNF-3B	.219	.203	.440	.428	.482	.283	.263	.062	.007
-524	NTE-524	5/16-24UNF-3B	.266	.250	.502	.490	.552	.366	.326	.094	.007
-624	NTE-624	3/8-24UNF-3B	.282	.266	.565	.553	.622	.418	.388	.094	.008
-720	NTE-720	7/16-20UNF-3B	.328	.312	.627	.615	.766	.478	.448	.109	.008
-820	NTE-820	1/2-20UNF-3B	.328	.312	.752	.740	.837	.551	.521	.109	.009
-918	NTE-918	9/16-18UNF-3B	.375	.359	.877	.865	.978	.514	.484	.125	.010
-1018	NTE-1018	5/8-18UNF-3B	.407	.391	.940	.928	1.051	.677	.646	.156	.010
-1216	NTE-1216	3/4-16UNF-3B	.422	.406	1.065	1.053	1.191	.807	.777	.172	.010
-1414	NTE-1414	7/8-14UNF-3B	.485	.469	1.252	1.240	1.403	.933	.903	.203	.011
-1614	NTE-1614	1-14UNF-3B	.578	.562	1.440	1.428	1.615	1.059	1.029	.250	.012
-1812	NTE-1812	1 1/8-12UNF-3B	.672	.656	1.627	1.615	1.826	1.186	1.156	.313	.013
-2012	NTE-2012	1 1/4-12UNF-3B	.766	.750	1.815	1.803	2.038	1.310	1.280	.328	.014

*COARSE THREAD

- MATERIAL: 1018 PER AMS 5069
1035 PER AMS 5080
11L37 PER AMS 5020
12L14 PER SAE J403
303 (UNS S30300)
2014-T6 PER QQ-A-200/2
2017-T4 PER QQ-A-225/5
CA 360 (UNS C3600)
- FINISH: STEEL AND BRASS NUTS - CADMIUM PLATED IN ACCORDANCE WITH QQ-P-416, TYPE II, CLASS 2.
CORROSION RESISTANT STEEL NUTS - PASSIVATE IN ACCORDANCE WITH QQ-P-35.
ALUMINUM ALLOY NUTS - ANODIZE OR CHEMICALLY SURFACE TREAT IN ACCORDANCE WITH PROCUREMENT SPECIFICATION.
- LOCKING INSERT: GREEN NYLON IN ACCORDANCE WITH ASTM D4066, GROUP 1, CLASS I OR II.

GREER

NYLON-INSERT LOCKNUTS

NTM/NTE SERIES

NUT, SELF-LOCKING, THIN

AN364

- 4. THREADS: THREADS SHALL BE "RIGHT-HAND", UNIFIED COARSE OR UNIFIED FINE IN ACCORDANCE WITH H-28, CLASS 3B FIT EXCEPT THAT A MINOR DIAMETER REQUIREMENT OF MIL-S-8879 MAY APPLY.
- 5. TEMPERATURE: 250° F.
- 6. PROCUREMENT SPECIFICATION: MIL-N-25027 WHERE APPLICABLE.

DASH NUMBERS			GREER PART #	THREAD MIL-S-8879	AXIAL STRENGTH (LB MIN)		WEIGHT LB/100 REF		
NYLON-INSERT					STEEL	AL ALLOY	AL ALLOY	STEEL	COPPER BASE ALLOY
STEEL	AL ALLOY	COPPER BASE ALLOY							
-632	D632	B632	NTM-632	*6-32 NC-2B	530	530	.09	.25	.27
-832	D832	B832	NTM-832	*8-32 NC-2B	840	840	.14	.40	.43
-1032	D1032	B1032	NTM-1032	10-32 NF-3B	1,230	1,230	.16	.46	.50
-428	D428	B428	NTE-428	1/4-28 UNF-3B	2,290	1,145	.23	.66	.71
-524	D524	B524	NTE-524	5/16-24UNF-3B	3,690	1,845	.37	1.05	1.13
-624	D624	B624	NTE-624	3/8-24UNF-3B	5,680	2,840	.43	1.20	1.30
-720	D720	B720	NTE-720	7/16-20UNF-3B	7,680	3,840	.46	1.29	1.39
-820	D820	B820	NTE-820	1/2-20UNF-3B	10,440	5,220	.93	2.60	2.80
-918	D918	B918	NTE-918	9/16-18UNF-3B	13,280	6,640	1.60	4.50	4.86
-1018	D1018	B1018	NTE-1018	5/8-18UNF-3B	16,880	8,440	1.82	5.10	5.50
-1216	D1216	B1216	NTE-1216	3/4-16UNF-3B	24,680	12,340	2.43	6.80	7.34
-1414	D1414	B1414	NTE-1414	7/8-14UNF-3B	33,800	16,900	3.71	10.40	11.23
-1614	D1614	B1614	NTE-1614	1-14UNF-3B	43,900	21,950	6.42	18.00	19.44
-1812	D1812	B1812	NTE-1812	1 1/8-12UNF-3B	57,200	28,600	8.92	25.00	27.00
-2012	D2012	B2012	NTE-2012	1 1/4-12UNF-3B	72,000	36,000	12.85	36.00	38.88

*COARSE THREAD

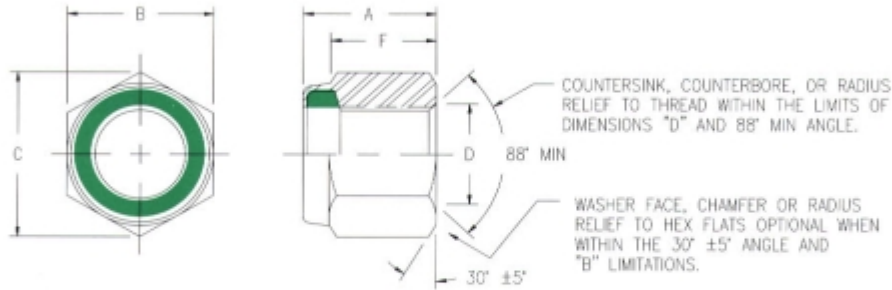
GREER

NYLON-INSERT LOCKNUTS

NM/NE SERIES

NUT, SELF-LOCKING

AN365



DASH#	GREER PART#	THREAD	A		B		C	D		F	BEARING SURFACE SQUARENESS
			MAX	MIN	MAX	MIN	MIN	MAX	MIN	MIN	
-440	NM-440	*4-40 NC-2B	.157	.125	.252	.240	.268	.156	.116	.044	PER MIL-N-25027
-632	NM-632	*6-32 NC-2B	.188	.156	.315	.302	.339	.181	.141	.061	
-832	NM-832	*8-32 NC-2B	.250	.218	.346	.334	.374	.208	.168	.091	
-1032	NM-1032	10-32 NF-3B	.250	.218	.377	.365	.410	.230	.190	.085	
-428	NE-428	1/4-28UNF-3B	.328	.296	.440	.428	.482	.293	.253	.116	
-524	NE-524	5/16-24UNF-3B	.360	.328	.502	.490	.552	.356	.316	.123	
-624	NE-624	3/8-24UNF-3B	.469	.437	.565	.553	.622	.418	.378	.153	
-720	NE-720	7/16-20UNF-3B	.469	.437	.627	.615	.698	.487	.447	.168	
-820	NE-820	1/2-20UNF-3B	.610	.578	.752	.740	.837	.551	.511	.221	
-918	NE-918	9/16-18UNF-3B	.704	.672	.877	.865	.978	.614	.574	.243	
-1018	NE-1018	5/8-18UNF-3B	.766	.734	.940	.928	1.051	.676	.636	.274	
-1216	NE-1216	3/4-16UNF-3B	.891	.859	1.065	1.053	1.191	.802	.762	.316	
-1414	NE-1414	7/8-14UNF-3B	1.016	.984	1.252	1.240	1.403	.938	.898	.570	
-1614	NE-1614	1-14 NF-3B	1.141	1.109	1.440	1.428	1.615	1.064	1.024	.635	
-1812	NE-1812	1-1/8-12UNF-3B	1.266	1.234	1.627	1.615	1.826	1.191	1.151	.710	
-2012	NE-2012	1-1/4-12UNF-3B	1.454	1.422	1.815	1.803	2.038	1.315	1.275	.795	

*COARSE THREAD

- MATERIAL: 1018 PER ASTM A29
1035 PER ASTM A29
11L37 PER AMS 5020
12L14 PER SAE J403
303 (UNS S30300)
2014-T6 PER QQ-A-200/2
2017-T4 PER QQ-A-225/5
CA 360 (UNS C3600)
- FINISH: STEEL AND BRASS NUTS - CADMIUM PLATED IN ACCORDANCE WITH QQ-P-416, TYPE II, CLASS 2.
CORROSION RESISTANT STEEL NUTS - PASSIVATE IN ACCORDANCE WITH QQ-P-35.
ALUMINUM ALLOY NUTS - ANODIZE OR CHEMICALLY SURFACE TREAT IN ACCORDANCE WITH PROCUREMENT SPECIFICATION.
ALUMINUM ALLOY NUTS - IN SIZES THRU .2500-28 DYED BLUE PER PROCUREMENT SPECIFICATION.

GREER

NYLON-INSERT LOCKNUTS

NM/NE SERIES

NUT, SELF-LOCKING

AN365

3. LOCKING INSERT: GREEN NYLON IN ACCORDANCE WITH ASTM D4066, GROUP 1, CLASS I OR II.
4. THREADS: THREADS SHALL BE "RIGHT-HAND", UNIFIED COARSE OR UNIFIED FINE IN ACCORDANCE WITH H-28, CLASS 3B FIT EXCEPT THAT A MINOR DIAMETER REQUIREMENT OF MIL-S-8879 MAY APPLY.
5. TEMPERATURE: 250° F.

DASH NUMBERS NYLON-INSERT			GREER PART #	THREAD	AXIAL STRENGTH (LB/MIN)			WEIGHT, LB/100 REF		
STEEL	COPPER BASE ALLOY	AL ALLOY			STEEL	CRES	AL ALLOY	STEEL	COPPER BASE ALLOY	AL ALLOY
-440	B440	D440	NM-440	*4-40 NC-2B	750	750	750	.15	.16	.06
-632	B632	D632	NM-632	*6-32 NC 2B	1,130	1,130	1,130	.30	.32	.11
-832	B832	D832	NM-832	*8-32 NC-2B	1,720	1,720	1,720	.50	.54	.18
-1032	B1032	D1032	NM-1032	10-32 NF-3B	2,460	2,460	2,460	.58	.63	.21
-428	B428	D428	NE-428	1/4-28UNF-3B	4,580	4,580	4,580	.99	1.10	.36
-524	B524	D524	NE-524	5/16-24UNF-3B	7,390	7,390	3,670	1.40	1.50	.50
-624	B624	D624	NE-624	3/8-24UNF-3B	11,450	11,450	5,680	2.15	2.30	.78
-720	B720	D720	NE-720	7/16-20UNF-3B	15,450	15,450	7,660	2.50	2.70	1.20
-820	B820	D820	NE-820	1/2-20UNF-3B	21,110	21,110	10,470	4.70	5.10	1.70
-918	B918	D918	NE-918	9/16-18UNF-3B	26,810	26,810	13,330	7.80	8.50	2.80
-1018	B1018	D1018	NE-1018	5/8-18UNF-3B	34,130	34,130	16,930	9.50	10.30	3.40
-1216	B1216	D1216	NE-1216	3/4-16UNF-3B	50,020	50,020	24,810	13.60	15.00	5.00
-1414	B1414	D1414	NE-1414	7/8-14UNF-3B	68,440	68,440	33,950	21.00	23.00	7.60
-1614	B1614	D1614	NE-1614	1-14 NF-3B	92,180	92,180	45,720	31.00	33.00	11.00
-1812	B1812	D1812	NE-1812	1-1/8-12UNF-3B	116,700	116,700	57,880	46.00	50.00	17.00
-2012	B2012	D2012	NE-2012	1-1/4-12UNF-3B	147,940	147,940	73,880	65.00	70.00	24.00

*COARSE THREAD

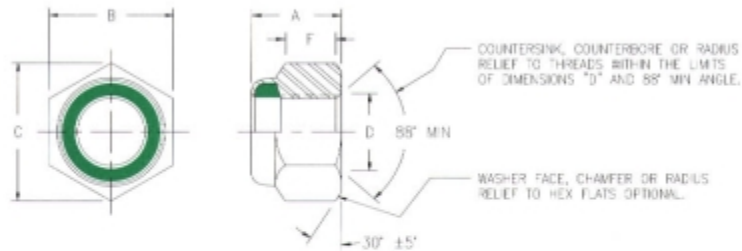
GREER

NYLON-INSERT LOCKNUTS

NTU SERIES

NUT, SELF-LOCKING, HEXAGON - THIN

MS16228



DASH#	GREER PART#	THREAD MIL-S-8879	A		B		C	D		F	BEARING SURFACE SQUARENESS
			MAX	MIN	MAX	MIN	REF	MAX	MIN	MIN	
4C	L79NTU-420	1/4-20UNC-3B	.296	.266	.502	.492	.552	.293	.253	.135	.007
5C	L79NTU-518	5/16-18UNC-3B	.328	.298	.564	.553	.622	.356	.316	.150	.007
6C	L79NTU-616	3/8-16UNC-3B	.421	.391	.690	.679	.766	.418	.378	.175	.008
7C	L79NTU-714	7/16-14UNC-3B	.453	.423	.752	.741	.837	.487	.447	.225	.008
8C	L79NTU-813	1/2-13UNC-3B	.546	.516	.877	.865	.978	.551	.511	.255	.009
10C	L79NTU-1011	5/8-11UNC-3B	.624	.594	1.064	1.052	1.191	.676	.636	.315	.010
12C	L79NTU-1210	3/4-10UNC-3B	.718	.688	1.252	1.239	1.403	.802	.762	.355	.010
16C	L79NTU-1608	1-8UNC-3B	.922	.860	1.627	1.614	1.836	1.064	1.024	.410	.012

1. MATERIAL: 300 SERIES CORROSION RESISTANT STEEL.
2. FINISH: PASSIVATE IN ACCORDANCE WITH QQ-P-35
3. LOCKING INSERT: GREEN NYLON IN ACCORDANCE WITH ASTM D4066, GROUP 1, CLASS I OR II.
4. THREADS: THREADS SHALL BE "RIGHT-HAND", UNIFIED COARSE IN ACCORDANCE WITH H-28, CLASS 3B FIT EXCEPT THAT A MINOR DIAMETER REQUIREMENTS OF MIL-S-8879 MAY APPLY.
5. TEMPERATURE: 250° F.
6. PROCUREMENT SPECIFICATION: MIL-N-25027 WHERE APPLICABLE.

GREER

NTU SERIES

NUT, SELF-LOCKING, HEXAGON, THIN

MS16228

DASH #	GREER PART #	THREAD MIL-S-8879	AXIAL TENSILE STRENGTH LB MIN	MINIMUM ULTIMATE WRENCH TORQUE IN-LB.	WEIGHT LB/100 REF
4C	L79NTU-420	1/4-20UNC-3B	4,200	75	1.14
5C	L79NTU-518	5/16-18UNC-3B	5,500	130	1.53
6C	L79NTU-616	3/8-16UNC-3B	8,450	230	2.87
7C	L79NTU-714	7/16-14UNC-3B	11,650	400	3.80
8C	L79NTU-813	1/2-13UNC-3B	17,550	835	6.19
10C	L79NTU-1011	5/8-11UNC-3B	25,900	1,315	10.50
12C	L79NTU-1210	3/4-10UNC-3B	33,500	1,925	16.80
16C	L79NTU-1608	1-8UNC-3B	62,900	6,055	32.70

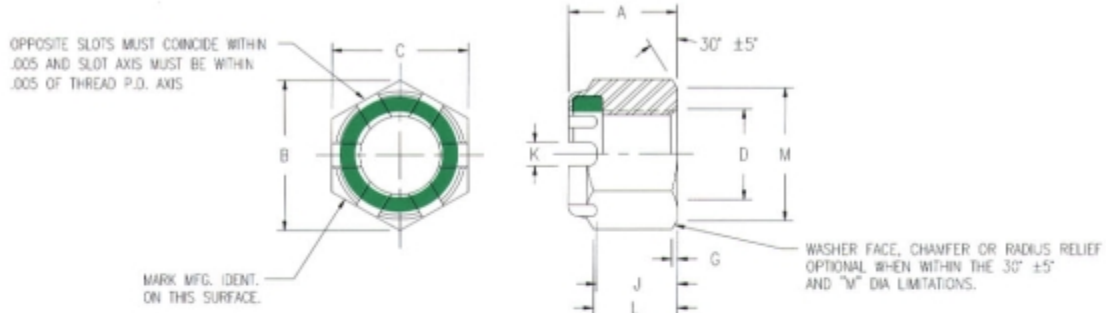
GREER

NYLON-INSERT LOCKNUTS

NMC/NEC SERIES

NUT, SELF-LOCKING, CASTELLATED, HEXAGON

MS17825



DASH#	GREER PART#	THREAD MIL-S-8879	A		B		C	D	G		J	
			MAX	MIN	MAX	MIN	MIN	MAX	MAX	MIN	MAX	MIN
-3	F12NMC-1032	.1900-32UNJF-3B	.265	.235	.376	.367	.410	.215	.032	.006	.125	.105
-4	F12NEC-428	.2500-28UNJF-3B	.296	.266	.439	.430	.482	.275	.036	.007	.141	.121
-5	F12NEC-524	.3125-24UNJF-3B	.343	.313	.502	.492	.552	.338	.042	.008	.188	.168
-6	F12NEC-624	.3750-24UNJF-3B	.421	.391	.564	.553	.622	.400	.042	.008	.235	.215
-7	F12NEC-720	.4375-20UNJF-3B	.468	.438	.690	.679	.766	.463	.050	.010	.282	.262
-8	F12NEC-820	.5000-20UNJF-3B	.578	.548	.752	.741	.837	.525	.050	.010	.375	.355
-9	F12NEC-918	.5625-18UNJF-3B	.624	.594	.877	.865	.978	.587	.055	.012	.406	.386
-10	F12NEC-1018	.6250-18UNJF-3B	.734	.704	.940	.928	1.051	.650	.055	.012	.484	.464
-12	F12NEC-1216	.7500-16UNJF-3B	.828	.798	1.064	1.052	1.191	.795	.063	.014	.578	.558
-14	F12NEC-1414	.8750-14UNJF-3B	.921	.891	1.252	1.239	1.403	.900	.072	.016	.672	.652
-16	F12NEC-1612	1.0000-12UNJF-3B	1.015	.985	1.440	1.427	1.615	1.025	.083	.018	.766	.746
-18	F12NEC-1812	1.1250-12UNJF-3B	1.171	1.141	1.627	1.614	1.825	1.150	.083	.018	.828	.808
-20	F12NEC-2012	1.2500-12UNJF-3B	1.265	1.235	1.815	1.801	2.038	1.275	.083	.018	.891	.871

1. MATERIAL: 1137 PER AMS 5024
11L37 PER AMS 5020
2. FINISH: CADMIUM PLATE IN ACCORDANCE WITH QQ-P-416, TYPE 2, CLASS II.
3. LOCKING INSERT: GREEN NYLON IN ACCORDANCE WITH ASTM D4066, GROUP 1, CLASS I OR II.
4. THREADS: THREADS SHALL BE "RIGHT-HAND", UNIFIED COARSE IN ACCORDANCE WITH H-28, CLASS 3B FIT EXCEPT THAT A MINOR DIAMETER REQUIREMENTS OF MIL-S-8879 MAY APPLY.
5. TEMPERATURE: 250° F.
6. PROCUREMENT SPECIFICATION: MIL-N-25027 WHERE APPLICABLE, EXCEPT FOR LOCKING TORQUE VALVES APPLICABLE FOR ONE CYCLE AT ROOM TEMPERATURE ONLY.

GREER

NYLON-INSERT LOCKNUTS

NMC/NEC SERIES

NUT, SELF-LOCKING, CASTELLATED, HEXAGON

MS17825

DASH#	GREER PART#	THREAD MIL-S-8879	K		L	M		ULTIMATE TENSILE STRENGTH LB	TESTING WRENCHING TORQUE (INCH LBS)	ASSEMBLY TORQUE VIBRATION (IN LBS)	WEIGHT LB/100
			MAX	MIN	MIN	MAX	MIN	MIN	MIN	MAX	MAX
-3	F12NMC-1032	.1900-32UNJF-3B	.108	.078	.110	.376	.355	1,950	35	28	.400
-4	F12NEC-428	.2500-28UNJF-3B			.125	.439	.418	3,500	80	65	.650
-5	F12NEC-524	.3125-24UNJF-3B			.172	.502	.480	5,500	225	180	1.000
-6	F12NEC-624	.3750-24UNJF-3B	.155	.125	.218	.564	.543	9,000	325	260	1.400
-7	F12NEC-720	.4375-20UNJF-3B			.265	.690	.675	12,200	575	460	2.000
-8	F12NEC-820	.5000-20UNJF-3B			.359	.752	.737	16,600	900	720	3.900
-9	F12NEC-918	.5625-18UNJF-3B	.187	.157	.390	.877	.862	21,200	1,100	880	6.900
-10	F12NEC-1018	.6250-18UNJF-3B			.468	.940	.925	27,400	1,600	1,300	11.400
-12	F12NEC-1216	.7500-16UNJF-3B			.562	1.064	1.049	40,000	2,800	2,200	16.900
-14	F12NEC-1414	.8750-14UNJF-3B			.656	1.252	1.237	54,600	4,600	3,700	26.000
-16	F12NEC-1612	1.0000-12UNJF-3B			.750	1.440	1.425	71,000	6,800	5,400	38.000
-18	F12NEC-1812	1.1250-12UNJF-3B			.844	1.627	1.612	92,600	10,000	8,000	53.500
-20	F12NEC-2012	1.2500-12UNJF-3B	.938	1.815	1.800	118,500	14,000	11,000	74.500		

GREER

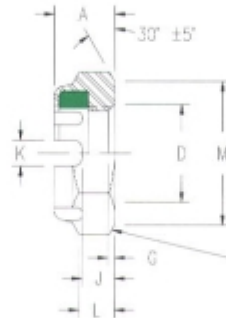
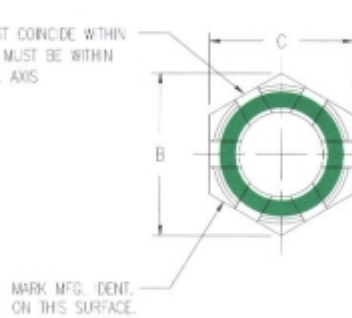
NYLON-INSERT LOCKNUTS

NTMC/NTEC SERIES

NUT, SELF-LOCKING, CASTELLATED, HEXAGON, THIN

MS17826

OPPOSITE SLOTS MUST COINCIDE WITHIN
.005 AND SLOT AXIS MUST BE WITHIN
.005 OF THREAD P.D. AXIS



DASH#	GREER PART#	THREAD MIL-S-8879	A		B		C	D	G		J	
			MAX	MIN	MAX	MIN	MIN	MAX	MAX	MIN	MAX	MIN
-3	F12NTMC-1032	.1900-32UNJF-3B	.203	.173	.376	.367	.410	.215	.032	.006	.114	.094
-4	F12NTEC-428	.2500-28UNJF-3B	.203	.173	.439	.430	.482	.275	.036	.007	.114	.094
-5	F12NTEC-524	.3125-24UNJF-3B	.203	.173	.502	.492	.552	.338	.042	.008	.114	.094
-6	F12NTEC-624	.3750-24UNJF-3B	.234	.204	.564	.553	.622	.400	.042	.008	.130	.110
-7	F12NTEC-720	.4375-20UNJF-3B	.234	.204	.690	.679	.766	.463	.050	.010	.130	.110
-8	F12NTEC-820	.5000-20UNJF-3B	.265	.235	.752	.741	.837	.525	.050	.010	.161	.141
-9	F12NTEC-918	.5625-18UNJF-3B	.328	.298	.877	.865	.978	.587	.055	.012	.208	.188
-10	F12NTEC-1018	.6250-18UNJF-3B	.328	.298	.940	.928	1.051	.650	.055	.012	.208	.188
-12	F12NTEC-1216	.7500-16UNJF-3B	.390	.360	1.064	1.052	1.191	.795	.063	.014	.271	.251
-14	F12NTEC-1414	.8750-14UNJF-3B	.453	.423	1.252	1.239	1.403	.900	.072	.016	.333	.313
-16	F12NTEC-1612	1.0000-12UNJF-3B	.515	.485	1.440	1.427	1.615	1.025	.083	.018	.396	.378
-18	F12NTEC-1812	1.1250-12UNJF-3B	.578	.548	1.527	1.614	1.826	1.150	.083	.018	.427	.407
-20	F12NTEC-2012	1.2500-12UNJF-3B	.640	.610	1.815	1.801	2.038	1.275	.083	.018	.489	.469

1. MATERIAL: 1137 PER AMS 5024
11L37 PER AMS 5020
2. FINISH: CADMIUM PLATE IN ACCORDANCE WITH QQ-P-416, TYPE 2, CLASS II
3. LOCKING INSERT: GREEN NYLON IN ACCORDANCE WITH ASTM D4066, GROUP 1, CLASS I OR II.
4. THREADS: THREADS SHALL BE "RIGHT-HAND", UNIFIED COARSE IN ACCORDANCE WITH H-28, CLASS 3B FIT EXCEPT THAT A MINOR DIAMETER REQUIREMENTS OF MIL-S-8879 MAY APPLY.
5. TEMPERATURE: 250° F.
6. PROCUREMENT SPECIFICATION: MIL-N-25027 WHERE APPLICABLE, EXCEPT FOR LOCKING TORQUE VALUES APPLICABLE FOR ONE CYCLE AT ROOM TEMPERATURE ONLY.

GREER

NYLON-INSERT LOCKNUTS

NTMC/NTEC SERIES

NUT, SELF-LOCKING, CASTELLATED, HEXAGON, THIN

MS17826

DASH#	GREER PART#	THREAD MIL-S-8879	K		L	M		ULTIMATE TENSILE STRENGTH LB	TESTING WRENCHING TORQUE (INCH LBS)	ASSEMBLY TORQUE VIBRATION (IN LBS)	WEIGHT LB/100
			MAX	MIN	MIN	MAX	MIN	MIN	MIN	MAX	MAX
-3	F12NTMC-1032	.1900-32UNJF-3B	.108	.078	.110	.376	.355	1,000	20	16	.340
-4	F12NTEC-428	.2500-28UNJF-3B			.125	.439	.418	1,800	45	35	.400
-5	F12NTEC-524	.3125-24UNJF-3B			.125	.502	.480	2,900	90	70	.550
-6	F12NTEC-624	.3750-24UNJF-3B	.155	.125	.140	.564	.543	4,100	125	100	.750
-7	F12NTEC-720	.4375-20UNJF-3B			.130	.690	.675	5,000	225	180	.850
-8	F12NTEC-820	.5000-20UNJF-3B	.187	.157	.150	.752	.737	5,600	300	240	1.600
-9	F12NTEC-918	.5625-18UNJF-3B			.200	.877	.862	7,800	400	320	3.000
-10	F12NTEC-1018	.6250-18UNJF-3B			.185	.940	.925	10,000	600	480	4.000
-12	F12NTEC-1216	.7500-16UNJF-3B			.220	1.064	1.049	15,500	1,100	880	5.850
-14	F12NTEC-1414	.8750-14UNJF-3B			.288	1.252	1.237	22,800	1,900	1,500	9.150
-16	F12NTEC-1612	1.0000-12UNJF-3B			.333	1.440	1.425	35,500	3,000	2,400	14.300
-18	F12NTEC-1812	1.1250-12UNJF-3B			.384	1.627	1.612	46,300	5,000	4,000	28.200
-20	F12NTEC-2012	1.2500-12UNJF-3B	.429	1.815	1.800	59,200	7,000	5,600	39.300		

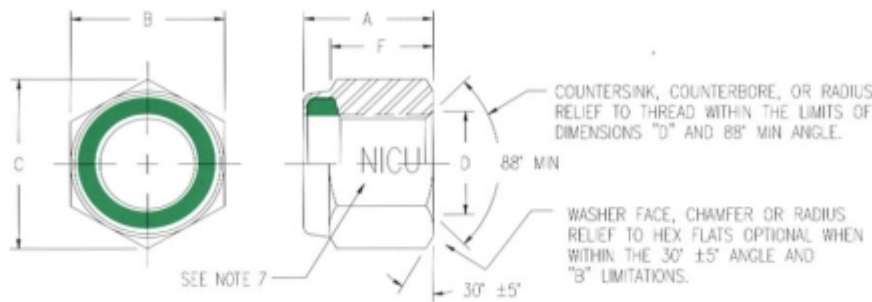
GREER

NYLON-INSERT LOCKNUTS

NM/NE/NU SERIES

NUT, SELF-LOCKING, HEXAGON, REGULAR HEIGHT

MS17828



DASH#	GREER PART#	THREAD	A		B		C	D		F	BEARING SURFACE SQUARENESS
			MAX	MIN	MAX	MIN	MIN	MAX	MIN	MIN	
-04C	09NM-440	4-40UNC-3B	.157	.133	.252	.243	.268	.156	.116	.044	.005
-06C	09NM-632	6-32UNC-3B	.188	.160	.316	.305	.339	.181	.141	.061	.006
-08C	09NM-832	8-32UNC-3B	.281	.219	.347	.336	.374	.208	.168	.091	.006
-3C	09NM-1024	10-24UNC-3B	.281	.208	.378	.367	.410	.230	.190	.085	.006
-3F	09NM-1032	10-32UNF-3B	.281	.208	.378	.367	.410	.230	.190	.085	.006
-4C	09NE-420	1/4-20UNC-3B	.360	.240	.439	.430	.482	.293	.253	.116	.007
-4F	09NE-428	1/4-28UNF-3B	.360	.240	.439	.430	.482	.293	.253	.116	.007
-5C	09NE-518	5/16-18UNC-3B	.360	.271	.504	.492	.552	.356	.316	.123	.007
-5F	09NE-524	5/16-24UNF-3B	.360	.271	.504	.492	.552	.356	.316	.123	.007
-6C	09NE-616	3/8-16UNC-3B	.469	.318	.566	.553	.622	.418	.378	.153	.008
-6F	09NE-624	3/8-24UNF-3B	.469	.318	.566	.553	.622	.418	.378	.153	.008
-7C	09NE-714U	7/16-14UNC-3B	.469	.435	.692	.679	.766	.487	.447	.178	.008
-7F	09NE-720U	7/16-20UNF-3B	.469	.435	.692	.679	.766	.487	.447	.178	.008
-8C	09NE-813	1/2-13UNC-3B	.610	.575	.755	.741	.837	.551	.511	.221	.009
-8F	09NE-820	1/2-20UNF-3B	.610	.575	.755	.741	.837	.551	.511	.221	.009
-9C	09NE-912	9/16-12UNC-3B	.704	.623	.880	.865	.978	.614	.574	.243	.010
-9F	09NE-918	9/16-18UNF-3B	.704	.623	.880	.865	.978	.614	.574	.243	.010
-10C	09NE-1011	5/8-11UNC-3B	.766	.732	.944	.928	1.051	.676	.636	.274	.010
-10F	09NE-1018	5/8-18UNF-3B	.766	.732	.944	.928	1.051	.676	.636	.274	.010
-12C	09NE-1210	3/4-10UNC-3B	.891	.855	1.068	1.052	1.191	.802	.762	.316	.010
-12F	09NE-1216	3/4-16UNF-3B	.891	.855	1.068	1.052	1.191	.802	.762	.316	.010
-14C	09NE-1409	7/8-9UNC-3B	1.016	.965	1.257	1.239	1.403	.938	.898	.570	.011
-14F	09NE-1414	7/8-14UNF-3B	1.016	.965	1.257	1.239	1.403	.938	.898	.570	.011
-16C	09NE-1608	1-8UNC-3B	1.141	1.010	1.446	1.427	1.615	1.064	1.024	.635	.012
-16F	09NE-1612	1-12UNF-3B	1.141	1.010	1.446	1.427	1.615	1.064	1.024	.635	.012
-18C	09NE-1807	1 1/8-7UNC-3B	1.266	1.130	1.634	1.614	1.826	1.191	1.151	.710	.013
-18F	09NE-1812	1 1/8-12UNF-3B	1.266	1.130	1.634	1.614	1.826	1.191	1.151	.710	.013
-20C	09NE-2007	1 1/4-7UNC-3B	1.454	1.300	1.822	1.801	2.038	1.315	1.275	.795	.014
-20F	09NE-2012	1 1/4-12UNF-3B	1.454	1.300	1.822	1.801	2.038	1.315	1.275	.795	.014
-22C	09NE-2206	1 3/8-6UNC-3B	1.609	1.547	2.011	1.973	2.232	1.467	1.427	.890	.015
-22F	09NE-2212	1 3/8-12UNF-3B	1.609	1.547	2.011	1.973	2.232	1.467	1.427	.890	.015
-24C	09NE-2406	1 1/2-6UNC-3B	1.640	1.578	2.200	2.159	2.444	1.588	1.548	.980	.016
-24F	09NE-2412	1 1/2-12UNF-3B	1.640	1.578	2.200	2.159	2.444	1.588	1.548	.980	.016
-28C	09NU-2805	1 3/4-5UNC-3B	2.376	2.250	2.766	2.715	3.075	1.838	1.798	1.250	.018
-32C	09NU-3204	2-4 1/2UNC-3B	2.469	2.343	3.142	3.086	3.497	2.085	2.045	1.350	.020
-36C	09NU-3604.5	2 1/4-4 1/2UNC-3B	2.876	2.750	3.518	3.457	3.918	2.348	2.308	1.600	.020
-40C	09NU-4004	2 1/2-4UNC-3B	3.204	3.078	4.020	3.875	4.393	2.598	2.558	1.800	.020

GREER *NYLON-INSERT LOCKNUTS*

NM/NE/NU SERIES

NUT, SELF-LOCKING, HEXAGON, REGULAR HEIGHT

MS17828

DASH#	GREER PART#	THREADS	AXIAL STRENGTH POUNDS MIN	MINIMUM ULTIMATE WRENCH TORQUE (IN-LB)	WEIGHT LB/100 REF	MAXIMUM LOCKING TORQUE INSTALLATION OR REMOVAL (IN-LB)	MINIMUM BREAKAWAY TORQUE (IN-LB)
-04C	09NM-440	4-40UNC-3B	520	6	.17	5	0.5
-06C	09NM-632	6-32UNC-3B	780	11	.31	10	1.0
-08C	09NM-832	8-32UNC-3B	1,250	17	.50	15	1.5
-3C	09NM-1024	10-24UNC-3B	1,460	29	.60	18	2.0
-3F	09NM-1032	10-32UNF-3B	1,790	34	.60	18	2.0
-4C	09NE-420	1/4-20UNC-3B	3,900	40	1.13	30	4.5
-4F	09NE-428	1/4-28UNF-3B	4,000	50	1.13	30	4.5
-5C	09NE-518	5/16-18UNC-3B	6,000	85	1.51	60	7.5
-5f	09NE-524	5/16-24UNF-3B	6,400	110	1.51	60	7.5
-6C	09NE-616	3/8-16UNC-3B	9,600	140	2.26	80	12.0
-6F	09NE-624	3/8-24UNF-3B	10,750	190	2.26	80	12.0
-7C	09NE-714U	7/16-14UNC-3B	12,000	245	3.89	100	16.5
-7F	09NE-720U	7/16-20UNF-3B	13,070	325	3.89	100	16.5
-8C	09NE-813	1/2-13UNC-3B	19,100	440	5.39	150	24.0
-8F	09NE-820	1/2-20UNF-3B	19,600	500	5.39	150	24.0
-9C	09NE-912	9/16-12UNC-3B	22,200	550	8.90	200	30.0
-9F	09NE-918	9/16-18UNF-3B	25,000	710	8.90	200	30.0
-10C	09NE-1011	5/8-11UNC-3B	28,900	750	10.40	300	40.0
-10F	09NE-1018	5/8-18UNF-3B	30,300	1,000	10.40	300	40.0
-12C	09NE-1210	3/4-10UNC-3B	38,700	1,225	15.03	400	60.0
-12F	09NE-1216	3/4-16UNF-3B	39,300	1,725	15.03	400	60.0
-14C	09NE-1409	7/8-9UNC-3B	56,700	2,225	23.80	600	82.0
-14F	09NE-1414	7/8-14UNF-3B	61,300	2,775	23.80	600	82.0
-16C	09NE-1608	1-8UNC-3B	66,700	3,675	33.82	800	110.0
-16F	09NE-1612	1-12UNF-3B	71,500	4,135	33.82	800	110.0
-18C	09NE-1807	1 1/8-7UNC-3B	81,900	5,350	51.36	900	137.0
-18F	09NE-1812	1 1/8-12UNF-3B	90,400	5,975	51.36	900	117.0
-20C	09NE-2007	1 1/4-7UNC-3B	115,700	7,350	72.66	1,000	165.0
-20F	09NE-2012	1 1/4-12UNF-3B	119,800	8,375	72.66	1,000	143.0
-22C	09NE-2206	1 3/8-6UNC-3B	110,300	7,700	96.46	1,200	200.0
-22F	09NE-2212	1 3/8-12UNF-3B	115,200	8,850	96.46	1,200	180.0
-24C	09NE-2406	1 1/2-6UNC-3B	134,000	11,200	125.28	1,400	230.0
-24F	09NE-2412	1 1/2-12UNF-3B	139,000	11,650	125.28	1,400	210.0
-28C	09NU-2805	1 3/4-5UNC-3B	205,000	18,000	278.40	1,800	300.0
-32C	09NU-3204	2-4 1/2UNC-3B	233,000	20,000	359.60	2,200	360.0
-36C	09NU-3604.5	2 1/4-4 1/2UNC-3B	390,000	20,000	522.00	2,600	430.0
-40C	09NU-4004	2 1/2-4UNC-3B	500,000	20,000	791.12	3,000	500.0

1. MATERIAL: NICKEL - COPPER - ALLOY PER QQ-N-281
2. FINISH: PLAIN
3. LOCKING INSERT: GREEN NYLON IN ACCORDANCE WITH ASTM D4066, GROUP 1 CLASS I OR II.
4. THREADS: THREADS SHALL BE "RIGHT-HAND", UNIFIED COARSE OR UNIFIED FINE IN ACCORDANCE WITH H-28, CLASS 3B FIT EXCEPT THAT A MINOR DIAMETER REQUIREMENTS OF MIL-S-8879 MAY APPLY.
5. TEMPERATURE: 250° F.
6. PROCUREMENT SPECIFICATION: MIL-N-25027 WHERE APPLICABLE.
7. THREAD SIZE 1/4" AND LARGER SHALL BE MARKED USING THE SYMBOL "NICU".

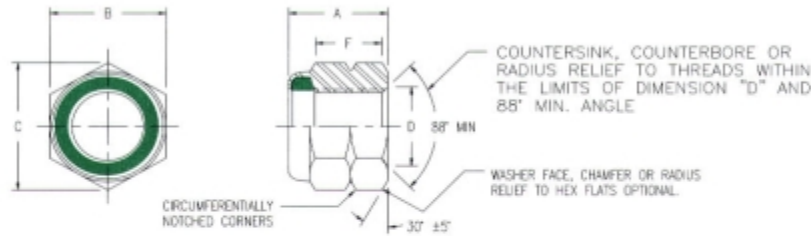
GREER

NYLON-INSERT LOCKNUTS

N7582 SERIES

NUT, SELF-LOCKING, HEXAGON, REGULAR HEIGHT

MS17829



DASH#	GREER PART#	THREAD	A		B		C	D		F	BEARING SURFACE SQUARENESS
			MAX	MIN	MAX	MIN	MIN	MAX	MIN	MIN	
-3C	N7582-1024	10-24UNC-3B	.281	.206	.376	.367	.410	.230	.190	.085	.006
-4C	N7582-420	1/4-20UNC-3B	.360	.240	.439	.430	.482	.293	.253	.116	.007
-4F	N7582-428	1/4-28UNF-3B	.360	.240	.439	.430	.482	.293	.253	.116	.007
-5C	N7582-518	5/16-18UNC-3B	.360	.271	.502	.492	.552	.356	.326	.123	.007
-5F	N7582-524	5/16-24UNF-3B	.360	.271	.502	.492	.552	.356	.326	.123	.007
-6C	N7582-616	3/8-16UNC-3B	.469	.318	.564	.553	.622	.418	.378	.153	.008
-6F	N7582-624	3/8-24UNF-3B	.469	.318	.564	.553	.622	.418	.378	.153	.008
-7C	N7582-714U	7/16-14UNC-3B	.469	.435	.690	.679	.766	.487	.447	.178	.008
-7F	N7582-720U	7/16-20UNF-3B	.469	.435	.690	.679	.766	.487	.447	.178	.008
-8C	N7582-813	1/2-13UNC-3B	.610	.575	.752	.741	.837	.551	.511	.221	.009
-8F	N7582-820	1/2-20UNF-3B	.610	.575	.752	.741	.837	.551	.511	.221	.009
-9C	N7582-912	9/16-12UNC-3B	.704	.623	.877	.865	.978	.614	.574	.243	.010
-9F	N7582-918	9/16-18UNF-3B	.704	.623	.877	.865	.978	.614	.574	.243	.010
-10C	N7582-1011	5/8-11UNC-3B	.766	.732	.940	.928	1.051	.676	.636	.274	.010
-10F	N7582-1018	5/8-18UNF-3B	.766	.732	.940	.928	1.051	.676	.636	.274	.010
-12C	N7582-1210	3/4-10UNC-3B	.891	.855	1.064	1.052	1.191	.802	.762	.316	.010
-12F	N7582-1216	3/4-16UNF-3B	.891	.855	1.064	1.052	1.191	.802	.762	.316	.010
-14C	N7582-1409	7/8-9UNC-3B	1.016	.965	1.252	1.239	1.403	.938	.898	.570	.011
-14F	N7582-1414	7/8-14UNF-3B	1.016	.965	1.252	1.239	1.403	.938	.898	.570	.011
-16C	N7582-1608	1-8UNC-3B	1.141	1.010	1.440	1.427	1.615	1.064	1.024	.635	.012
-16F	N7582-1612	1-12UNF-3B	1.141	1.010	1.440	1.427	1.615	1.064	1.024	.635	.012
-18C	N7582-1807	1 1/8-7UNC-3B	1.266	1.130	1.627	1.614	1.826	1.191	1.151	.710	.013
-18F	N7582-1812	1 1/8-12UNF-3B	1.266	1.130	1.627	1.614	1.826	1.191	1.151	.710	.013
-20C	N7582-2007	1 1/4-7UNC-3B	1.454	1.300	1.814	1.801	2.038	1.315	1.275	.795	.014
-20F	N7582-2012	1 1/4-12UNF-3B	1.454	1.300	1.814	1.801	2.038	1.315	1.275	.795	.014
-22C	N7582-2206	1 3/8-6UNC-3B	1.609	1.547	2.008	1.973	2.232	1.467	1.427	.890	.015
-22F	N7582-2212	1 3/8-12UNF-3B	1.609	1.547	2.008	1.973	2.232	1.467	1.427	.890	.015
-24C	N7582-2406	1 1/2-6UNC-3B	1.640	1.578	2.197	2.159	2.444	1.588	1.548	.980	.016
-24F	N7582-2412	1 1/2-12UNF-3B	1.640	1.578	2.197	2.159	2.444	1.588	1.548	.980	.016
-28C	N7582-2805	1 3/4-5UNC-3B	2.376	2.250	2.762	2.715	3.075	1.838	1.798	1.250	.018
-32C	N7582-3204	2-4 1/2UNC-3B	2.469	2.343	3.137	3.086	3.497	2.085	2.045	1.350	.020
-36C	N7582-3604	2 1/4-4 1/2UNC-3B	2.876	2.750	3.514	3.457	3.918	2.348	2.308	1.600	.020
-40C	N7582-4004	2 1/2-4UNC-3B	3.204	3.078	4.015	3.875	4.393	2.598	2.558	1.800	.020

GREER NYLON-INSERT LOCKNUTS

N7582 SERIES

NUT, SELF-LOCKING, HEXAGON, REGULAR HEIGHT

MS17829

DASH#	GREER PART#	THREADS	AXIAL STRENGTH POUNDS MIN	MINIMUM ULTIMATE WRENCH TORQUE (IN-LB)	WEIGHT LB/100 REF	MAXIMUM LOCKING TORQUE INSTALLATION OR REMOVAL (IN-LB)	MINIMUM BREAKAWAY TORQUE (IN-LB)
-3C	N7582-1024	10-24UNC-3B	2,010	40	.56	18	2.0
-4C	N7582-420	1/4-20UNC-3B	4,770	85	.97	18	2.0
-4F	N7582-428	1/4-28UNF-3B	5,460	115	.97	30	4.5
-5C	N7582-518	5/16-18UNC-3B	7,860	185	1.30	30	4.5
-5f	N7582-524	5/16-24UNF-3B	8,700	260	1.30	60	7.5
-6C	N7582-616	3/8-16UNC-3B	11,620	315	1.95	60	7.5
-6F	N7582-624	3/8-24UNF-3B	13,170	450	1.95	80	12.0
-7C	N7582-714U	7/16-14UNC-3B	15,940	550	3.35	80	12.0
-7F	N7582-720U	7/16-20UNF-3B	17,800	885	3.35	100	16.5
-8C	N7582-813	1/2-13UNC-3B	21,300	1,000	4.65	100	16.5
-8F	N7582-820	1/2-20UNF-3B	24,000	1,250	4.65	150	24.0
-9C	N7582-912	9/16-12UNC-3B	27,300	1,300	7.67	150	24.0
-9F	N7582-918	9/16-18UNF-3B	30,400	1,850	7.67	200	30.0
-10C	N7582-1011	5/8-11UNC-3B	33,900	1,725	8.97	200	30.0
-10F	N7582-1018	5/8-18UNF-3B	38,400	2,725	8.97	300	40.0
-12C	N7582-1210	3/4-10UNC-3B	50,100	2,875	12.96	300	40.0
-12F	N7582-1216	3/4-16UNF-3B	56,000	4,775	12.96	400	60.0
-14C	N7582-1409	7/8-9UNC-3B	69,300	5,300	20.52	400	60.0
-14F	N7582-1414	7/8-14UNF-3B	76,400	7,575	20.52	600	82.0
-16C	N7582-1608	1-8UNC-3B	90,900	8,750	29.16	600	82.0
-16F	N7582-1612	1-12UNF-3B	99,400	10,900	29.16	800	110.0
-18C	N7582-1807	1 1/8-7UNC-3B	114,000	13,100	44.28	800	110.0
-18F	N7582-1812	1 1/8-12UNF-3B	128,400	14,800	44.28	900	117.0
-20C	N7582-2007	1 1/4-7UNC-3B	145,000	17,600	62.64	1000	165.0
-20F	N7582-2012	1 1/4-12UNF-3B	161,000	20,000	62.64	1000	143.0
-22C	N7582-2206	1 3/8-6UNC-3B	173,000	20,000	83.16	1200	200.0
-22F	N7582-2212	1 3/8-12UNF-3B	197,000	20,000	83.16	1200	180.0
-24C	N7582-2406	1 1/2-6UNC-3B	211,000	20,000	108.00	1400	230.0
-24F	N7582-2412	1 1/2-12UNF-3B	237,200	20,000	108.00	1400	210.0
-28C	N7582-2805	1 3/4-5UNC-3B	285,000	20,000	259.20	1800	300.0
-32C	N7582-3204	2-4 1/2UNC-3B	375,000	20,000	334.80	2200	360.0
-36C	N7582-3604	2 1/4-4 1/2UNC-3B	487,500	20,000	486.00	2600	430.0
-40C	N7582-4004	2 1/2-4UNC-3B	600,000	20,000	735.50	3000	500.0

1. MATERIAL: 1137 PER AMS 5024
11L37 PER AMS 5020
2. FINISH: CADMIUM PLATE IN ACCORDANCE WITH QQ-P-416, TYPE 2, CLASS II. (GREER PREFIX F52)
ZINC PLATE ASTM-B-633-78 TYPE II. (GREER PREFIX F51)
3. LOCKING INSERT: GREEN NYLON IN ACCORDANCE WITH ASTM D4066, GROUP 1 CLASS I OR II.
4. THREADS: THREADS SHALL BE "RIGHT-HAND", UNIFIED COARSE OR UNIFIED FINE IN ACCORDANCE WITH H-28,
CLASS 3B FIT EXCEPT THAT A MINOR DIAMETER REQUIREMENTS OF MIL-S-8879 MAY APPLY.
5. TEMPERATURE: 250° F.
6. PROCUREMENT SPECIFICATION: MIL-N-25027 WHERE APPLICABLE.

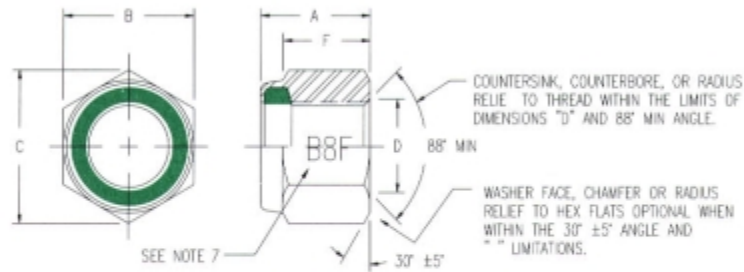
GREER

NYLON-INSERT LOCKNUTS

NM/NE/NU SERIES

NUT, SELF-LOCKING, HEXAGON, REGULAR HEIGHT

MS17830



DASH#	GREER PART#	THREAD	A		B		C	D		F	BEARING SURFACE SQUARENESS
			MAX	MIN	MAX	MIN	MIN	MAX	MIN	MIN	
-04C	L79NM-440	4-40UNC-3B	.157	.133	.251	.243	.268	.156	.116	.044	.005
-06C	L79NM-632	6-32UNC-3B	.188	.160	.313	.305	.339	.181	.141	.061	.006
-08C	L79NM-832	8-32UNC-3B	.281	.219	.345	.336	.374	.208	.168	.091	.006
-3C	L79NM-1024	10-24UNC-3B	.281	.208	.376	.367	.410	.230	.190	.085	.006
-4C	L79NE-420	1/4-20UNC-3B	.360	.240	.439	.428	.482	.293	.253	.116	.007
-5C	L79NE-518	5/16-18UNC-3B	.360	.271	.502	.492	.552	.356	.316	.123	.007
-6C	L79NE-616	3/8-16UNC-3B	.469	.318	.564	.553	.622	.418	.378	.153	.008
-7C	L79NE-714U	7/16-14UNC-3B	.469	.435	.690	.679	.766	.487	.447	.178	.008
-8C	L79NE-813	1/2-13UNC-3B	.610	.575	.752	.741	.837	.551	.511	.221	.009
-9C	L79NE-912	9/16-12UNC-3B	.704	.623	.877	.865	.978	.614	.574	.243	.010
-10C	L79NE-1011	5/8-11UNC-3B	.766	.732	.940	.928	1.051	.676	.636	.274	.010
-12C	L79NE-1210	3/4-10UNC-3B	.891	.855	1.064	1.052	1.191	.802	.762	.316	.010
-14C	L79NE-1409	7/8-9UNC-3B	1.016	.965	1.252	1.239	1.403	.938	.898	.570	.011
-16C	L79NE-1608	1-8UNC-3B	1.141	1.010	1.440	1.427	1.615	1.064	1.024	.635	.012
-18C	L79NE-1807	1 1/8-7UNC-3B	1.266	1.130	1.627	1.614	1.826	1.191	1.151	.710	.013
-20C	L79NE-2007	1 1/4-7UNC-3B	1.454	1.300	1.814	1.801	2.038	1.315	1.275	.795	.014
-22C	L79NE-2206	1 3/8-6UNC-3B	1.609	1.547	2.008	1.973	2.232	1.467	1.427	.890	.015
-24C	L79NE-2406	1 1/2-6UNC-3B	1.640	1.578	2.197	2.159	2.444	1.588	1.548	.980	.016
-28C	L79NU-2805	1 3/4-5UNC-3B	2.376	2.250	2.762	2.715	3.075	1.838	1.798	1.250	.018
-32C	L79NU-3204	2-4 1/2UNC-3B	2.469	2.343	3.137	3.086	3.497	2.085	2.045	1.350	.020
-36C	L79NU-3604	2 1/4-4 1/2UNC-3B	2.876	2.750	3.514	3.457	3.918	2.348	2.308	1.600	.020
-40C	L79NU-4004	2 1/2-4UNC-3B	3.204	3.078	4.015	3.875	4.393	2.598	2.558	1.800	.020

GREER *NYLON-INSERT LOCKNUTS*

NM/NE/NU SERIES

NUT, SELF-LOCKING, HEXAGON, REGULAR HEIGHT

MS17830

1. MATERIAL: 300 SERIES CORROSION RESISTANT STEEL.
2. FINISH: PASSIVATE IN ACCORDANCE WITH QQ-P-35.
3. LOCKING INSERT: GREEN NYLON IN ACCORDANCE WITH ASTM D4066, GROUP 1, CLASS I OR II.
4. THREADS: THREADS SHALL BE "RIGHT-HAND", UNIFIED COARSE IN ACCORDANCE WITH H-28, CLASS 3B FIT EXCEPT THAT A MINOR DIAMETER REQUIREMENTS OF MIL-S-8879 MAY APPLY.
5. TEMPERATURE: 250° F.
6. PROCUREMENT SPECIFICATION: MIL-N-25027 WHERE APPLICABLE.
7. THREAD SIZE 1/4" AND LARGER SHALL BE MARKED USING THE SYMBOL "B8F".

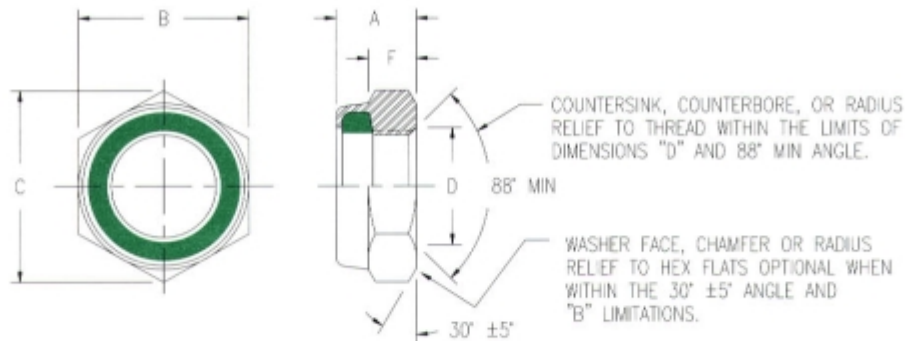
DASH#	GREER PART#	THREAD	AXIAL STRENGTH POUNDS MIN	MINIMUM ULTIMATE WRENCH TORQUE (IN-LB)	WEIGHT LB/100 REF	MAXIMUM LOCKING TORQUE INSTALLATION OR REMOVAL (IN-LB)	MINIMUM BREAKAWAY TORQUE (IN-LB)
-04C	L79NM-440	4-40UNC-3B	300	4	.16	5	0.5
-06C	L79NM-632	6-32UNC-3B	460	6	.30	10	1.0
-08C	L79NM-832	8-32UNC-3B	730	10	.48	15	1.5
-3C	L79NM-1024	10-24UNC-3B	890	18	.56	18	2.0
-4C	L79NE-420	1/4-20UNC-3B	1,750	40	.97	30	4.5
-5C	L79NE-518	5/16-18UNC-3B	2,880	85	1.30	60	7.5
-6C	L79NE-616	3/8-16UNC-3B	4,260	140	1.95	80	12.0
-7C	L79NE-714U	7/16-14UNC-3B	5,850	245	3.35	100	16.5
-8C	L79NE-813	1/2-13UNC-3B	7,800	440	4.65	150	24.0
-9C	L79NE-912	9/16-12UNC-3B	10,010	550	7.67	200	30.0
-10C	L79NE-1011	5/8-11UNC-3B	12,400	750	8.97	300	40.0
-12C	L79NE-1210	3/4-10UNC-3B	18,400	1,225	12.96	400	60.0
-14C	L79NE-1409	7/8-9UNC-3B	25,400	2,225	20.52	600	82.0
-16C	L79NE-1608	1-8UNC-3B	36,500	3,675	29.16	800	110.0
-18C	L79NE-1807	1 1/8-7UNC-3B	42,000	5,350	44.28	900	137.0
-20C	L79NE-2007	1 1/4-7UNC-3B	53,300	7,350	62.64	1,000	165.0
-22C	L79NE-2206	1 3/8-6UNC-3B	63,500	9,900	83.16	1,200	200.0
-24C	L79NE-2406	1 1/2-6UNC-3B	77,300	13,100	108.00	1,400	230.0
-28C	L79NU-2805	1 3/4-5UNC-3B	104,500	20,000	259.20	1,800	300.0
-32C	L79NU-3204	2-4 1/2UNC-3B	137,500	20,000	334.80	2,200	360.0
-36C	L79NU-3604	2 1/4-4 1/2UNC-3B	178,800	20,000	486.00	2,600	430.0
-40C	L79NU-4004	2 1/2-4UNC-3B	220,000	20,000	735.50	3,000	500.0

GREER *NYLON-INSERT LOCKNUTS*

NTM/NTE SERIES

NUT, SELF-LOCKING, HEXAGON, THIN

MS20364



DASH#	GREER PART#	THREAD	A		B		C	D		F	BEARING SURFACE SQUARENESS
			MAX	MIN	MAX	MIN	MIN	MAX	MIN	MIN	
-632	NTM-632	*6-32 NC-2B	.141	.109	.314	.302	.339	.176	.146	.047	.004
-832	NTM-832	*8-32 NC-2B	.188	.156	.346	.334	.374	.203	.173	.062	.006
-1032	NTM-1032	10-32 NF-3B	.188	.156	.377	.365	.410	.230	.200	.062	.006
-428	NTE-428	1/4-28 UNF-3B	.219	.187	.440	.428	.482	.283	.263	.062	.007
-524	NTE-524	5/16-24UNF-3B	.266	.234	.502	.490	.552	.366	.326	.094	.007
-624	NTE-624	3/8-24UNF-3B	.282	.250	.565	.553	.622	.418	.388	.094	.008
-720	NTE-720	7/16-20UNF-3B	.328	.296	.627	.615	.766	.478	.448	.109	.008
-820	NTE-820	1/2-20UNF-3B	.328	.296	.752	.740	.837	.551	.521	.109	.009
-918	NTE-918	9/16-18UNF-3B	.375	.343	.877	.865	.978	.514	.484	.125	.010
-1018	NTE-1018	5/8-18UNF-3B	.407	.375	.940	.928	1.051	.677	.646	.156	.010
-1216	NTE-1216	3/4-16UNF-3B	.422	.390	1.065	1.053	1.191	.807	.777	.172	.010
-1414	NTE-1414	7/8-14UNF-3B	.485	.453	1.252	1.240	1.403	.933	.903	.203	.011
-1614	NTE-1614	1-14UNF-3B	.578	.546	1.440	1.428	1.615	1.059	1.029	.250	.012
-1812	NTE-1812	1 1/8-12UNF-3B	.672	.640	1.627	1.615	1.826	1.186	1.156	.313	.013
-2012	NTE-2012	1 1/4-12UNF-3B	.766	.734	1.815	1.803	2.038	1.310	1.280	.328	.014

*COARSE THREAD

- MATERIAL: 11L37 PER AMS 5020
12L14 PER SAE J403.
303 (UNS S30300)
2014-T6 PER QQ-A-200/2
2017-T4 PER QQ-A-225/5
CA 360 (UNS C3600)
- FINISH: STEEL AND BRASS NUTS - CADMIUM PLATED IN ACCORDANCE WITH QQ-P-416, TYPE II, CLASS 2.
CORROSION RESISTANT STEEL NUTS - PASSIVATE IN ACCORDANCE WITH QQ-P035.
ALUMINUM ALLOY NUTS - ANODIZE OR CHEMICALLY SURFACE TREAT IN ACCORDANCE WITH PROCUREMENT SPECIFICATION.

GREER

NYLON-INSERT LOCKNUTS

NTM/NTE SERIES

NUT, SELF-LOCKING, HEXAGON, THIN

MS20364

- 3. LOCKING INSERT: GREEN NYLON IN ACCORDANCE WITH ASTM D4066, GROUP 1, CLASS I OR II.
- 4. THREADS: THREADS SHALL BE "RIGHT-HAND", UNIFIED COARSE IN ACCORDANCE WITH H-28, CLASS 3B FIT EXCEPT THAT A MINOR DIAMETER REQUIREMENTS OF MIL-S-8879 MAY APPLY.
- 5. TEMPERATURE: 250° F.
- 6. PROCUREMENT SPECIFICATION: MIL-N-25027 WHERE APPLICABLE.

DASH NUMBERS NYLON-INSERT			GREER PART #	THREAD MIL-S-8879	AXIAL STRENGTH (LB MIN)		WEIGHT LB/100 REF		
STEEL	AL ALLOY	BRASS			STEEL	AL ALLOY	AL ALLOY	STEEL	BRASS
-632	D632	B632	NTM-632	*6-32 NC-2B	530	530	.09	.25	.27
-832	D832	B832	NTM-832	*8-32 NC-2B	840	840	.14	.40	.43
-1032	D1032	B1032	NTM-1032	10-32 NF-3B	1,230	1,230	.16	.46	.50
-428	D428	B428	NTE-428	1/4-28 UNF-3B	2,290	1,145	.23	.66	.71
-524	D524	B524	NTE-524	5/16-24UNF-3B	3,690	1,845	.37	1.05	1.13
-624	D624	B624	NTE-624	3/8-24UNF-3B	5,680	2,840	.43	1.20	1.30
-720	D720	B720	NTE-720	7/16-20UNF-3B	7,680	3,840	.46	1.29	1.39
-820	D820	B820	NTE-820	1/2-20UNF-3B	10,440	5,220	.93	2.60	2.80
-918	D918	B918	NTE-918	9/16-18UNF-3B	13,280	6,640	1.60	4.50	4.86
-1018	D1018	B1018	NTE-1018	5/8-18UNF-3B	16,880	8,440	1.82	5.10	5.50
-1216	D1216	B1216	NTE-1216	3/4-16UNF-3B	24,680	12,340	2.43	6.80	7.34
-1414	D1414	B1414	NTE-1414	7/8-14UNF-3B	33,800	16,900	3.71	10.40	11.23
-1614	D1614	B1614	NTE-1614	1-14UNF-3B	43,900	21,950	6.42	18.00	19.44
-1812	D1812	B1812	NTE-1812	1 1/8-12UNF-3B	57,200	28,600	8.92	25.00	27.00
-2012	D2012	B2012	NTE-2012	1 1/4-12UNF-3B	72,000	36,000	12.85	36.00	38.88

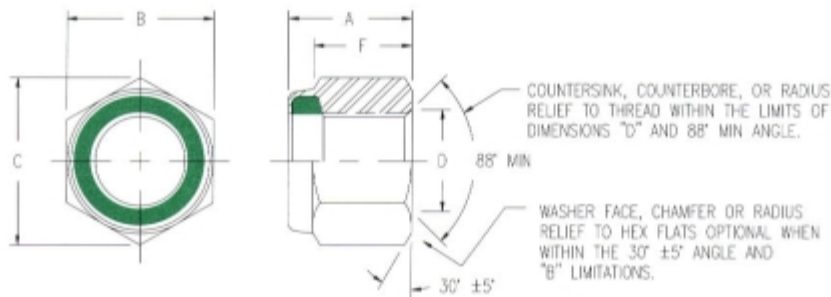
*COARSE THREAD

GREER *NYLON-INSERT LOCKNUTS*

NM/NE SERIES

NUT, SELF-LOCKING

MS20365



DASH#	GREER PART#	THREAD	A		B		C	D		F	BEARING SURFACE SQUARENESS
			MAX	MIN	MAX	MIN	MIN	MAX	MIN	MIN	
-440	NM-440	*4-40 NC-2B	.157	.125	.252	.240	.268	.156	.116	.044	PER MIL-N-25027
-632	NM-632	*6-32 NC-2B	.188	.156	.315	.302	.339	.181	.141	.061	
-832	NM-832	*8-32 NC-2B	.250	.218	.346	.334	.374	.208	.168	.091	
-1032	NM-1032	10-32 NF-3B	.250	.218	.377	.365	.410	.230	.190	.085	
-428	NE-428	1/4-28UNF-3B	.328	.296	.440	.428	.482	.293	.253	.116	
-524	NE-524	5/16-24UNF-3B	.360	.328	.502	.490	.552	.356	.316	.123	
-624	NE-624	3/8-24UNF-3B	.469	.437	.565	.553	.622	.418	.378	.153	
-720	NE-720	7/16-20UNF-3B	.469	.437	.627	.615	.698	.487	.447	.168	
-820	NE-820	1/2-20UNF-3B	.610	.578	.752	.740	.837	.551	.511	.221	
-918	NE-918	9/16-18UNF-3B	.704	.672	.877	.865	.978	.514	.574	.243	
-1018	NE-1018	5/8-18UNF-3B	.766	.734	.940	.928	1.051	.676	.636	.274	
-1216	NE-1216	3/4-16UNF-3B	.891	.859	1.065	1.053	1.191	.802	.762	.316	
-1414	NE-1414	7/8-14UNF-3B	1.016	.984	1.252	1.240	1.403	.938	.898	.570	
-1614	NE-1614	1-14 NF-3B	1.141	1.109	1.440	1.428	1.615	1.064	1.024	.635	
-1812	NE-1812	1-1/8-12UNF-3B	1.266	1.234	1.627	1.615	1.826	1.191	1.151	.710	
-2012	NE-2012	1-1/4-12UNF-3B	1.454	1.422	1.815	1.803	2.038	1.315	1.275	.795	

*COARSE THREAD

- MATERIAL: 1018 PER ASTM A29
1035 PER ASTM A29
11L37 PER AMS 5020
12L14 PER SAE J403
303 (UNS S30300)
2014-T6 PER QQ-A-200/2
2017-T4 PER QQ-A-225/5
CA 360 (UNS C3600)
- FINISH: STEEL AND BRASS NUTS - CADMIUM PLATED IN ACCORDANCE WITH QQ-P-416, TYPE II, CLASS 2.
CORROSION RESISTANT STEEL NUTS - PASSIVATE IN ACCORDANCE WITH QQ-P035.
ALUMINUM ALLOY NUTS - ANODIZE OR CHEMICALLY SURFACE TREAT IN ACCORDANCE WITH PROCUREMENT SPECIFICATION.

GREER

NYLON-INSERT LOCKNUTS

NM/NE SERIES

NUT, SELF-LOCKING

MS20365

- 3. LOCKING INSERT: GREEN NYLON IN ACCORDANCE WITH ASTM D4066, GROUP 1, CLASS I OR II.
- 4. THREADS: MIL-S-8879.
- 5. TEMPERATURE: 250° F.
- 6. PROCUREMENT SPECIFICATION: MIL-N-25027 WHERE APPLICABLE.

DASH NUMBERS NYLON-INSERT			GREER PART #	THREAD MIL-S-8879	AXIAL STRENGTH (LB/MIN)			WEIGHT, LB/100 REF		
STEEL	COPPER BASE ALLOY	AL ALLOY			STEEL	CRES	AL ALLOY	STEEL	COPPER BASE ALLOY	AL ALLOY
-440	B440	D440	NM-440	*4-40 NC-2B	750	750	750	.15	.16	.06
-632	B632	D632	NM-632	*6-32 NC 2B	1,130	1,130	1,130	.30	.32	.11
-832	B832	D832	NM-832	*8-32 NC-2B	1,720	1,720	1,720	.50	.54	.18
-1032	B1032	D1032	NM-1032	10-32 NF-3B	2,460	2,460	2460	.58	.63	.21
-428	B428	D428	NE-428	1/4-28UNF-3B	4,580	4,580	4,580	.99	1.10	.36
-524	B524	D524	NE-524	5/16-24UNF-3B	7,390	7,390	3,670	1.40	1.50	.50
-624	B624	D624	NE-624	3/8-24UNF-3B	11,450	11,450	5,680	2.15	2.30	.78
-720	B720	D720	NE-720	7/16-20UNF-3B	15,450	15,450	7,660	3.40	3.70	1.20
-820	B820	D820	NE-820	1/2-20UNF-3B	21,110	21,110	10,470	4.70	5.10	1.70
-918	B918	D918	NE-918	9/16-18UNF-3B	26,810	26,810	13,330	7.80	8.50	2.80
-1018	B1018	D1018	NE-1018	5/8-18UNF-3B	34,130	34,130	16,930	9.50	10.30	3.40
-1216	B1216	D1216	NE-1216	3/4-16UNF-3B	50,020	50,020	24,810	13.60	15.00	5.00
-1414	B1414	D1414	NE-1414	7/8-14UNF-3B	68,440	68,440	33,950	21.00	23.00	7.60
-1614	B1614	D1614	NE-1614	1-14 NF-3B	92,180	92,180	45,720	31.00	33.00	11.00
-1812	B1812	D1812	NE-1812	1-1/8-12UNF-3B	116,700	116,700	57,880	46.00	50.00	17.00
-2012	B2012	D2012	NE-2012	1-1/4-12UNF-3B	147,940	147,940	73,880	65.00	70.00	24.00

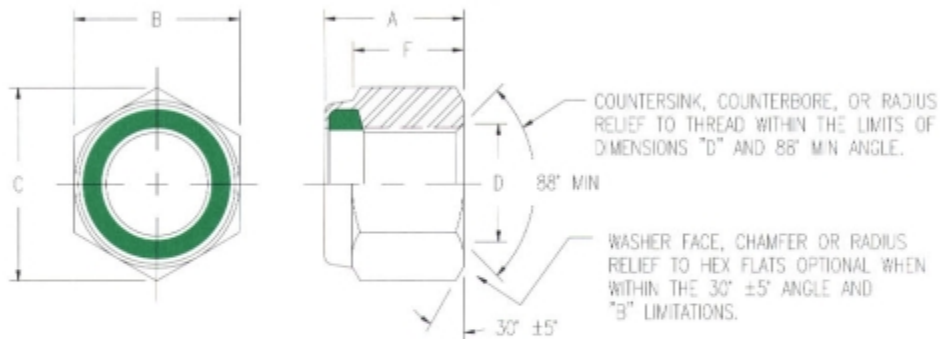
*COARSE THREAD

GREER *NYLON-INSERT LOCKNUTS*

NM/NE SERIES

NUT, SELF-LOCKING, HEXAGON, REGULAR HEIGHT, 250° F

MS21044



DASH#	GREER PART#	THREAD MIL-S-8879	A		B		C	D		F	BEARING SURFACE SQUARENESS
			MAX	MIN	MAX	MIN		MAX	MIN		
02	NM-256	.0860-56UNJC-3B	.153	.133	.251	.243	.268	.126	.086	.044	.004
04	NM-440	.1120-40UNJC-3B	.157	.133	.251	.243	.268	.156	.116	.044	.004
06	NM-632	.1380-32UNJC-3B	.188	.160	.313	.305	.339	.181	.141	.072	.004
08	NM-832	.1640-32UNJC-3B	.281	.219	.345	.336	.374	.208	.168	.091	.004
3	NM-1032	.1900-32UNJF-3B	.281	.208	.376	.367	.410	.230	.190	.085	.004
4	NE-428	.2500-28UNJF-3B	.360	.240	.439	.430	.482	.293	.273	.116	.005
5	NE-524	.3125-24UNJF-3B	.360	.271	.502	.492	.552	.356	.316	.123	.006
6	NE-624	.3750-24UNJF-3B	.469	.318	.564	.553	.622	.418	.378	.153	.006
7	NE-720U	.4375-20UNJF-3B	.469	.435	.690	.679	.766	.487	.447	.178	.007
8	NE-820	.5000-20UNJF-3B	.610	.575	.752	.741	.837	.551	.511	.221	.007
9	NE-918	.5625-18UNJF-3B	.704	.623	.877	.865	.978	.614	.574	.243	.008
10	NE-1018	.6250-18UNJF-3B	.765	.732	.940	.928	1.051	.676	.636	.274	.008
12	NE-1216	.7500-16UNJF-3B	.891	.855	1.064	1.052	1.191	.807	.767	.316	.009
14	NE-1414	.8750-14UNJF-3B	1.016	.965	1.252	1.239	1.403	.938	.888	.570	.010
16	NE-1612	1.0000-12UNJF-3B	1.141	1.010	1.440	1.427	1.615	1.064	1.024	.635	.011
18	NE-1812	1.2500-12UNJF-3B	1.266	1.130	1.627	1.614	1.826	1.191	1.151	.710	.012
20	NE-2012	1.2500-12UNJF-3B	1.454	1.300	1.815	1.801	2.038	1.315	1.275	.795	.013

REQUIREMENTS:

- MATERIAL: STEEL GRADES (N) 1018 (UNS G10180) PER AMS 5069, ASTM A29, ASTM A510 OR ASTM A853.
1035 (UNS G10350) PER AMS 5080, ASTM A29, ASTM A510 OR ASTM A853.
11L37 (UNS G11374) PER AMS 5020.
12L14 (UNS G12144) PER SAE J403.
CRES, TYPE (C) 303 (UNS S30300)
ALUMINUM ALLOY (D) 2014-T6 (UNS A92014) PER QQ-A-200/2.
2017-T4 (UNS A92017) PER QQ-A-225/5.
BRASS (B) CA 360 (UNS C36000)
NYLON INSERT NYLON PER ASTM D4066, GROUP 1, CLASS 1 OR 2

GREER NYLON-INSERT LOCKNUTS

NM/NE SERIES

NUT, SELF-LOCKING, HEXAGON, REGULAR HEIGHT, 250°F

MS21044

2. PROTECTIVE COATING: STEEL AND BRASS NUTS - CADMIUM PLATED IN ACCORDANCE WITH QQ-P-416, TYPE II, CLASS 2.
 CORROSION-RESISTANT STEEL NUTS - PASSIVATE IN ACCORDANCE WITH QQ-P-35.
 ALUMINUM ALLOY NUTS - ANODIZE OR CHEMICALLY SURFACE TREAT IN ACCORDANCE WITH
 PROCUREMENT SPECIFICATION.
 ALUMINUM ALLOY NUTS - IN SIZES THRU .2500-28 DYED BLUE PER PROCUREMENT SPECIFICATION
3. SURFACE ROUGHNESS: SURFACE ROUGHNESS IN ACCORDANCE WITH ANSI/ASME B46.1. UNLESS OTHERWISE
 SPECIFIED, SURFACE SHALL NOT EXCEED 125 MICRINCHES.

DASH NUMBERS				GREER PART #	THREAD MIL-S-8879	AXIAL STRENGTH (LB/MIN)			WEIGHT, LB/100 REF		
NYLON-INSERT						STEEL	AL ALLOY	CRES	AL ALLOY	STEEL	BRASS
AL ALLOY	STEEL	BRASS	CRES								
D02	N02	B02	C02	NM-256	.0860-56UNJC-3B	440	220	440	.05	.15	.16
D04	N04	B04	C04	NM-440	.1120-40UNJC-3B	750	750	750	.06	.15	.16
D06	N06	B06	C06	NM-632	.1380-32UNJC-3B	1,130	1,130	1,130	.11	.30	.32
D08	N08	B08	C08	NM-832	.1640-32UNJC-3B	1,720	1,720	1,720	.18	.50	.54
D3	N3	B3	C3	NM-1032	.1900-32UNJF-3B	2,460	2,460	2,460	.21	.58	.63
D4	N4	B4	C4	NE-428	.2500-28UNJF-3B	4,580	4,580	4,580	.36	.99	1.10
D5	N5	B5	C5	NE-524	.3125-24UNJF-3B	7,390	3,670	7,390	.50	1.40	1.50
D6	N6	B6	C6	NE-624	.3750-24UNJF-3B	11,450	5,680	11,450	.78	2.15	2.30
D7	N7	B7	C7	NE-720U	.4375-20UNJF-3B	15,450	7,660	15,450	1.20	3.40	3.70
D8	N8	B8	C8	NE-820	.5000-20UNJF-3B	21,110	10,470	21,110	1.70	4.70	5.10
D9	N9	B9	C9	NE-918	.5625-18UNJF-3B	26,810	13,330	26,810	2.80	7.80	8.50
D10	N10	B10	C10	NE-1018	.6250-18UNJF-3B	34,130	16,930	34,130	3.40	9.50	10.30
D12	N12	B12	C12	NE-1216	.7500-16UNJF-3B	50,020	24,810	50,020	.50	13.60	15.00
D14	N14	B14	C14	NE-1414	.8750-14UNJF-3B	68,440	33,950	68,440	7.60	21.00	23.00
D16	N16	B16	C16	NE-1612	1.000-12UNJF-3B	92,180	45,720	92,180	11.00	31.00	33.00
D18	N18	B18	C18	NE-1812	1.1250-12UNJF-3B	116,700	57,880	116,700	17.00	46.00	50.00
D20	N20	B20	C20	NE-2012	1.2500-12UNJF-3B	147,940	73,380	147,940	24.00	65.00	70.00

NOTES:

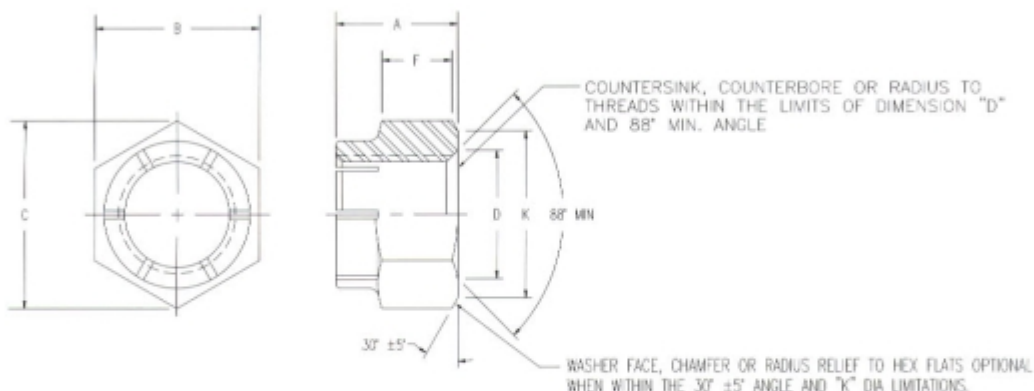
1. DESIGN AND USAGE LIMITATIONS: THESE NUTS ARE DESIGNED TO DEVELOP THE TENSILE STRENGTH OF BOLTS AND
 SCREWS WITH AN ULTIMATE STRESS (F_{tu}) OF 125 KSI (60 KSI FOR ALUMINUM PARTS)
 BASED ON THE CROSS-SECTIONAL AREA AT THE BASIC ROOT DIAMETER OF THE
 THREAD. THESE NUTS SHALL BE USED IN ACCORDANCE WITH THE LIMITATIONS OF
 MS33588.

GREER LOCKNUTS

MXM/MXE SERIES

NUT, SELF-LOCKING, HEXAGON, REGULAR HEIGHT

MS21045



DASH#	GREER PART#	THREAD MIL-S-8879	A		B		C	D DIA		F	BEARING SURFACE SQUARENESS
			MAX	MIN	MAX	MIN	MIN	MAX	MIN	MIN	
04	MXM-440	.112-40UNJC-3B	.157	.133	.251	.243	.268	.156	.116	.044	.004
06	MXM-632	.138-32UNJC-3B	.188	.160	.313	.305	.339	.181	.141	.072	.004
08	MXM-832	.164-32UNJC-3B	.250	.219	.345	.336	.374	.208	.168	.091	.004
3	MXM-1032	.190-32UNJF-3B	.250	.208	.376	.367	.410	.230	.190	.085	.004
4	MXE-428	.250-28UNJF-3B	.328	.240	.439	.430	.482	.293	.253	.116	.005
5	MXE-524	.3125-24UNJF-3B	.360	.271	.502	.492	.552	.356	.316	.123	.006
6	MXE-624	.375-24UNJF-3B	.469	.318	.564	.553	.622	.410	.370	.153	.006
7	MXE-720U	.4375-20UNJF-3B	.469	.435	.690	.679	.766	.487	.447	.178	.007
8	MXE-820	.500-20UNJF-3B	.610	.575	.752	.741	.837	.551	.511	.221	.007
9	MXE-918	.5625-18UNJF-3B	.704	.623	.877	.865	.978	.614	.574	.243	.008
10	MXE-1018	.625-18UNJF-3B	.766	.732	.940	.928	1.051	.676	.636	.274	.008
12	MXE-1216	.750-16UNJF-3B	.891	.855	1.064	1.052	1.191	.807	.767	.316	.009
14	MXE-1414	.875-14UNJF-3B	1.016	.965	1.252	1.239	1.403	.938	.898	.570	.010
16	MXE-1612	1.000-12UNJF-3B	1.141	1.010	1.440	1.427	1.615	1.064	1.024	.635	.011
18	MXE-1812	1.125-12UNJF-3B	1.266	1.130	1.627	1.614	1.826	1.191	1.151	.710	.012
20	MXE-2012	1.250-12UNJF-3B	1.454	1.300	1.814	1.801	2.038	1.315	1.275	.795	.013

- MATERIAL: 1018 PER ASTM A29
1035 PER ASTM A29
1137 PER AMS 5024
11L37 PER AMS 5020
12L14 PER SAE J403
- FINISH: CADMIUM PLATE PER QQ-P-416, TYPE II CLASS 2.
- LOCKING DEVICE: SEGMENTED BEAM LOCK.
- THREADS: MIL-S-8879
- TEMPERATURE: 450° F.
- PROCUREMENT SPECIFICATION: MIL-N-25027.

GREER LOCKNUTS

MXM/MXE SERIES

NUT, SELF-LOCKING, HEXAGON, REGULAR HEIGHT

MS21045

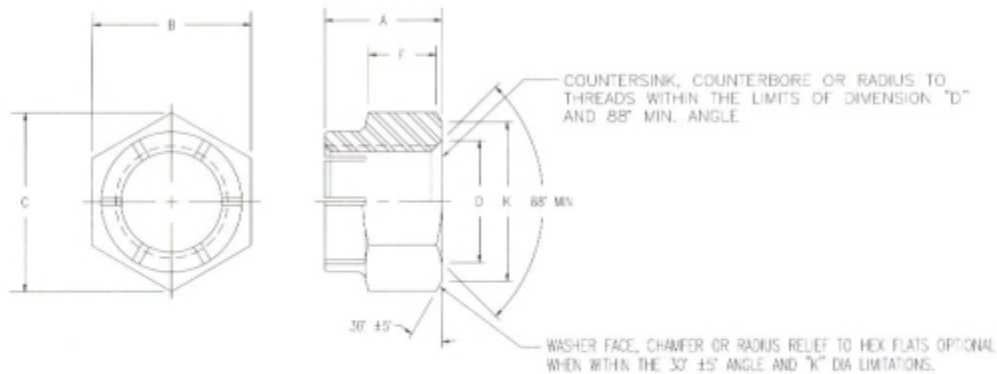
DASH#	GREER PART#	THREAD MIL-S-8879	AXIAL STRENGTH LBS MIN	WEIGHT LBS/100 REF	K DIA MIN
04	MXM-440	.112-40UNJC-3B	750	.15	.223
06	MXM-632	.138-32UNJC-3B	1,130	.30	.285
08	MXM-832	.164-32UNJC-3B	1,720	.50	.316
3	MXM-1032	.190-32UNJF-3B	2,460	.58	.347
4	MXE-428	.250-28UNJF-3B	4,580	.99	.410
5	MXE-524	.3125-24UNJF-3B	7,390	1.40	.472
6	MXE-624	.375-24UNJF-3B	11,450	2.15	.533
7	MXE-720U	.4375-20UNJF-3B	15,450	3.40	.659
8	MXE-820	.500-20UNJF-3B	21,110	4.70	.721
9	MXE-918	.5625-18UNJF-3B	26,810	7.80	.845
10	MXE-1018	.625-18UNJF-3B	34,130	9.50	.908
12	MXE-1216	.750-16UNJF-3B	50,020	13.60	1.032
14	MXE-1414	.875-14UNJF-3B	68,440	21.00	1.219
16	MXE-1612	1.000-12UNJF-3B	92,180	31.00	1.407
18	MXE-1812	1.125-12UNJF-3B	116,700	46.00	1.594
20	MXE-2012	1.250-12UNJF-3B	147,940	65.00	1.781

GREER LOCKNUTS

MXM/MXE SERIES

NUT, SELF-LOCKING, HEXAGON, REGULAR HEIGHT

MS21046



DASH#	GREER PART#	THREAD MIL-S-8879	A		B		C	D DIA		F	BEARING SURFACE SQUARENESS
			MAX	MIN	MAX	MIN	MIN	MAX	MIN	MIN	
04	70MXM-440	.112-40UNJC-3B	.157	.133	.251	.243	.268	.156	.116	.044	.004
06	70MXM-632	.138-32UNJC-3B	.188	.160	.313	.305	.339	.181	.141	.072	.004
08	70MXM-832	.164-32UNJC-3B	.250	.219	.345	.336	.374	.208	.168	.091	.004
3	70MXM-1032	.190-32UNJF-3B	.250	.208	.376	.367	.410	.230	.190	.085	.004
4	70MXE-428	.250-28UNJF-3B	.328	.240	.439	.430	.482	.293	.253	.116	.005
5	70MXE-524	.3125-24UNJF-3B	.360	.271	.502	.492	.552	.356	.316	.123	.006
6	70MXE-624	.375-24UNJF-3B	.469	.318	.564	.553	.622	.418	.378	.153	.006
7	70MXE-720U	.4375-20UNJF-3B	.469	.435	.690	.679	.766	.487	.447	.178	.007
8	70MXE-820	.500-20UNJF-3B	.610	.575	.752	.741	.837	.551	.511	.221	.007
9	70MXE-918	.5625-18UNJF-3B	.704	.623	.877	.865	.978	.614	.574	.243	.008
10	70MXE-1018	.625-18UNJF-3B	.766	.732	.940	.928	1.051	.676	.636	.274	.008
12	70MXE-1216	.750-16UNJF-3B	.891	.855	1.064	1.052	1.191	.807	.767	.316	.009
14	70MXE-1414	.875-14UNJF-3B	1.016	.965	1.252	1.239	1.403	.938	.808	.570	.010
16	70MXE-1612	1.000-12UNJF-3B	1.141	1.010	1.440	1.427	1.615	1.064	1.024	.635	.011
18	70MXE-1812	1.125-12UNJF-3B	1.266	1.130	1.627	1.614	1.826	1.191	1.151	.710	.012
20	70MXE-2012	1.250-12UNJF-3B	1.454	1.300	1.814	1.801	2.038	1.315	1.275	.795	.013

1. MATERIAL: CORROSION RESISTANT STEEL (303) PER UNS S30300.
2. FINISH: SILVER PLATE PER AMS-2410.
3. LOCKING DEVICE: SEGMENTED BEAM LOCK.
4. THREADS: MIL-S-8879.
5. TEMPERATURE: 800° F.
6. PROCUREMENT SPECIFICATION: MIL-N-25027.
7. MAGNETIC PERMEABILITY: MIL-N-25027

GREER LOCKNUTS

MXM/MXE SERIES

NUT, SELF-LOCKING, HEXAGON, REGULAR HEIGHT

MS21046

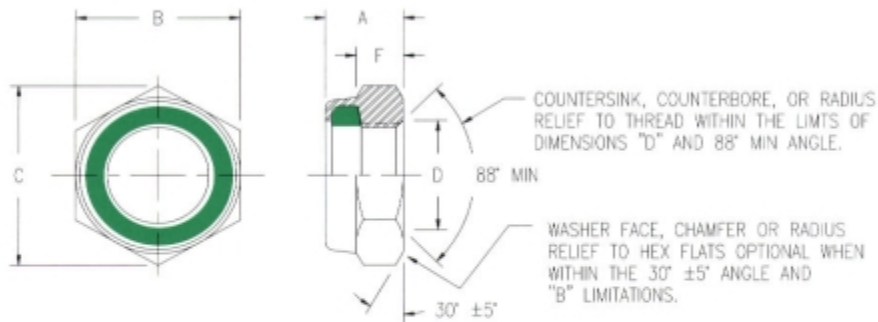
DASH#	GREER PART#	THREAD MIL-S-8879	AXIAL STRENGTH LBS MIN	WEIGHT LBS/100 REF	K DIA MIN
04	70MXM-440	.112-40UNJC-3B	750	.15	.223
06	70MXM-632	.138-32UNJC-3B	1,130	.30	.285
08	70MXM-832	.164-32UNJC-3B	1,720	.50	.316
3	70MXM-1032	.190-32UNJF-3B	2,460	.58	.347
4	70MXE-428	.250-28UNJF-3B	4,580	.99	.410
5	70MXE-524	.3125-24UNJF-3B	7,390	1.40	.472
6	70MXE-624	.375-24UNJF-3B	11,450	2.15	.533
7	70MXE-720U	.4375-20UNJF-3B	15,450	3.40	.659
8	70MXE-820	.500-20UNJF-3B	21,110	4.70	.721
9	70MXE-918	.5625-18UNJF-3B	26,810	7.80	.845
10	70MXE-1018	.625-18UNJF-3B	34,130	9.50	.908
12	70MXE-1216	.750-16UNJF-3B	50,020	13.60	1.032
14	70MXE-1414	.875-14UNJF-3B	68,440	21.00	1.219
16	70MXE-1612	1.000-12UNJF-3B	92,180	31.00	1.407
18	70MXE-1812	1.125-12UNJF-3B	116,700	46.00	1.594
20	70MXE-2012	1.250-12UNJF-3B	147,940	65.00	1.781

GREER *NYLON-INSERT LOCKNUTS*

NTM/NTE SERIES

NUT, SELF-LOCKING, HEXAGON, LOW HEIGHT, 250° F

MS21083



DASH#	GREER PART#	THREAD MIL-S-8879	A		B		C	D		F	BEARING SURFACE SQUARENESS
			MAX	MIN	MAX	MIN	MIN	MAX	MIN	MIN	
02	NTM-256	.0860-56UNJC-3B	.125	.094	.251	.243	.298	.151	.121	.031	.004
04	NTM-440	.1120-40UNJC-3B	.125	.094	.251	.243	.268	.151	.121	.031	.004
06	NTM-632	.1380-32UNJC-3B	.141	.110	.313	.305	.339	.176	.146	.047	.004
08	NTM-832	.1640-32UNJC-3B	.188	.157	.345	.336	.374	.203	.173	.062	.006
3	NTM-1032	.1900-32UNJF-3B	.188	.157	.376	.367	.410	.230	.200	.062	.006
4	NTE-428	.2500-28UNJF-3B	.219	.188	.439	.430	.482	.283	.263	.062	.007
5	NTE-524	.3125-24UNJF-3B	.266	.235	.502	.492	.552	.366	.326	.094	.007
6	NTE-624	.3750-24UNJF-3B	.282	.251	.564	.553	.622	.418	.388	.094	.008
7	NTE-720U	.4375-20UNJF-3B	.328	.298	.690	.679	.766	.478	.448	.109	.008
8	NTE-820	.5000-20UNJF-3B	.328	.298	.752	.741	.837	.551	.521	.109	.009
9	NTE-918	.5625-18UNJF-3B	.375	.344	.877	.865	.978	.514	.584	.125	.010
10	NTE-1018	.6250-18UNJF-3B	.407	.376	.940	.928	1.051	.676	.646	.156	.010
12	NTE-1216	.7500-16UNJF-3B	.422	.391	1.064	1.052	1.191	.807	.877	.172	.010
14	NTE-1414	.8750-14UNJF-3B	.485	.454	1.252	1.239	1.403	.933	.903	.203	.011
16	NTE-1612	1.0000-12UNJF-3B	.578	.516	1.440	1.427	1.615	1.059	1.029	.250	.012
18	NTE-1812	1.1250-12UNJF-3B	.672	.610	1.627	1.614	1.826	1.186	1.156	.313	.013
20	NTE-2012	1.2500-12UNJF-3B	.766	.703	1.815	1.801	2.038	1.310	1.280	.328	.014
22	NTE-2212	1.3750-12UNJF-3B	.828	.766	2.008	1.973	2.249	1.467	1.437	.281	.015
24	NTE-2412	1.5000-12UNJF-3B	.828	.766	2.197	2.159	2.416	1.588	1.558	.328	.016

REQUIREMENTS:

1. MATERIAL: STEEL GRADES (N) 1018 (UNS G10180) PER AMS 5069, ASTM A29, ASTM A510 OR ASTM A853.
 1035 (UNS G10350) PER AMS 5080, ASTM A29, ASTM A510 OR ASTM A853.
 11L37 (UNS G11374) PER AMS 5020.
 12L14 (UNS G12144) PER SAE J403.
- CRES, TYPE (C) 303 (UNS S30300)
- ALUMINUM ALLOY (D) 2014-T6 (UNS A92014) PER QQ-A-200/2.
 2017-T4 (UNS A92017) PER QQ-A-225/5.
- BRASS (B) CA 360 (UNS C36000)
- NYLON INSERT NYLON PER ASTM D4066, GROUP 1, CLASS 1 OR 2

GREER *NYLON-INSERT LOCKNUTS*

NTM/NTE SERIES

NUT, SELF-LOCKING, HEXAGON, LOW HEIGHT, 250°F

MS21083

2. PROTECTIVE COATING: STEEL AND BRASS NUTS - CADMIUM PLATED IN ACCORDANCE WITH QQ-P-416, TYPE II, CLASS 2.
 CORROSION-RESISTANT STEEL NUTS - PASSIVATE IN ACCORDANCE WITH QQ-P-35.
 ALUMINUM ALLOY NUTS - ANODIZE OR CHEMICALLY SURFACE TREAT IN ACCORDANCE WITH PROCUREMENT SPECIFICATION.
 ALUMINUM ALLOY NUTS - IN SIZES THRU .2500-28 DYED BLUE PER PROCUREMENT SPECIFICATION
3. SURFACE ROUGHNESS: SURFACE ROUGHNESS IN ACCORDANCE WITH ANSI/ASME B46.1. UNLESS OTHERWISE SPECIFIED, SURFACE SHALL NOT EXCEED 125 MICRONS.

DASH NUMBERS				GREER PART #	THREAD MIL-S-8879	AXIAL STRENGTH (LB/MIN)			WEIGHT, LB/100 REF		
NYLON-INSERT						STEEL	AL ALLOY	CRES	AL ALLOY	STEEL	BRASS
AL ALLOY	STEEL	BRASS	CRES								
D02	N02	B02	C02	NTM-256	.0860-56UNJC-3B	230	230	230	.13	.13	.13
D04	N04	B04	C04	NTM-440	.1120-40UNJC-3B	350	350	350	.13	.13	.13
D06	N06	B06	C06	NTM-632	.1380-32UNJC-3B	530	530	530	.25	.25	.25
D08	N08	B08	C08	NTM-832	.1640-32UNJC-3B	840	840	840	.40	.40	.40
D3	N3	B3	C3	NTM-1032	.1900-32UNJF-3B	1,230	1,230	1,230	.46	.46	.46
D4	N4	B4	C4	NTE-428	.2500-28UNJF-3B	2,290	1,145	2,290	.66	.66	.66
D5	N5	B5	C5	NTE-524	.3125-24UNJF-3B	3,690	1,845	3,690	1.05	1.05	1.05
D6	N6	B6	C6	NTE-624	.3750-24UNJF-3B	5,680	2,840	5,680	1.20	1.20	1.20
D7	N7	B7	C7	NTE-720U	.4375-20UNJF-3B	7,680	3,840	7,680	2.60	2.60	2.60
D8	N8	B8	C8	NTE-820	.5000-20UNJF-3B	10,440	5,220	7,400	2.60	2.60	2.60
D9	N9	B9	C9	NTE-918	.5625-18UNJF-3B	13,280	6,640	9,380	4.50	4.50	4.50
D10	N10	B10	C10	NTE-1018	.6250-18UNJF-3B	16,880	8,440	11,940	5.10	5.10	5.10
D12	N12	B12	C12	NTE-1216	.7500-16UNJF-3B	24,680	12,340	17,510	6.80	6.80	6.80
D14	N14	B14	C14	NTE-1414	.8750-14UNJF-3B	33,800	16,900	23,950	10.40	10.40	10.40
D16	N16	B16	C16	NTE-1612	1.0000-12UNJF-3B	43,900	21,950	31,500	18.00	18.00	18.00
D18	N18	B18	C18	NTE-1812	1.1250-12UNJF-3B	57,200	28,600	40,850	25.00	25.00	25.00
D20	N20	B20	C20	NTE-2012	1.2500-12UNJF-3B	72,000	36,000	51,780	36.00	36.00	36.00
D22	N22	B22	C22	NTE-2212	1.3750-12UNJF-3B	88,500	44,250	63,490	43.00	43.00	43.00
D24	N24	B24	C24	NTE-2412	1.5000-12UNJF-3B	106,800	53,400	76,300	55.00	55.00	55.00

NOTES:

1. DESIGN AND USAGE LIMITATIONS: THESE NUTS ARE INTENDED FOR SHEAR APPLICATIONS. THE STEEL NUTS ARE DESIGNED TO DEVELOP AN ULTIMATE TENSILE STRESS (F_{tu}) OF 70 KSI. THE ALUMINUM NUTS ARE DESIGNED TO DEVELOP AN ULTIMATE TENSILE STRESS (F_{tu}) OF 70 KSI FOR SIZES -.04 THRU -.03 AND 35 KSI FOR SIZES -.4 AND LARGER. THE CRES NUTS ARE DESIGNED TO DEVELOP AN ULTIMATE TENSILE STRESS (F_{tu}) OF 70 KSI FOR SIZES -.04 THRU -.8 AND 58 KSI AND LARGER. AND COPPER BASE ALLOY NUTS HAVE NO AXIAL STRENGTH REQUIREMENTS. THESE ULTIMATE TENSILE STRESS REQUIREMENTS ARE BASED UPON THE CROSS SECTIONAL AREA AT THE MINIMUM MINOR DIAMETER OF MIL-S-8879 EXTERNAL THREADS, AND WILL BE OBTAINED WHEN THE NUTS ARE TESTED ON BOLTS HAVING A MINIMUM ULTIMATE TENSILE STRENGTH OF 160,000 PSI. THESE NUTS ARE DESIGNED TO BE USED ON 3A EXTERNAL THREADS. THESE NUTS SHALL BE USED IN ACCORDANCE WITH THE LIMITATIONS OF MS33588.

GREER

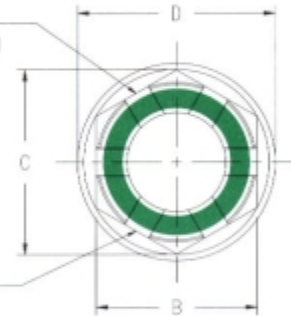
NYLON-INSERT LOCKNUTS

N7699 SERIES

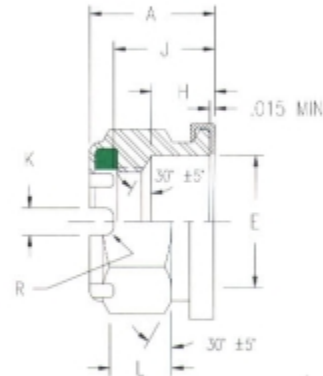
NUT, SELF-LOCKING, CASTELLATED, HEXAGON, COUNTERBORED

MS21224

MARK MFG. IDENT
(POSITION OPTIONAL)



OPPOSITE SLOTS MUST COINCIDE
WITHIN .005 AND SLOT AXIS MUST BE
WITHIN .005 OD THREAD P.D. AXIS.



DASH#	GREER PART#	THREAD MIL-S-8879	A		B		C	D		E		H	
			MAX	MIN	MAX	MIN	MIN	MAX	MIN	MAX	MIN	MAX	MIN
-3	F12N7699-1032	.1900-32UNJF-3B	.374	.344	.376	.367	.413	.490	.460	.240	.230	.161	.141
-4	F12N7699-428	.2500-28UNJF-3B	.405	.375	.439	.430	.488	.560	.530	.309	.299	.192	.172
-5	F12N7699-524	.3125-24UNJF-3B	.436	.406	.502	.492	.557	.640	.610	.395	.385	.223	.203
-6	F12N7699-624	.3750-24UNJF-3B	.482	.452	.564	.553	.628	.710	.680	.460	.450	.238	.218
-7	F12N7699-720	.4375-20UNJF-3B	.513	.483	.627	.616	.698	.785	.755	.529	.519	.269	.249
-8	F12N7699-820	.5000-20UNJF-3B	.576	.546	.752	.741	.840	.925	.895	.614	.604	.301	.281
-9	F12N7699-918	.5625-18UNJF-3B	.670	.640	.877	.865	.988	1.080	1.050	.686	.676	.332	.312
-10	F12N7699-1018	.6250-18UNJF-3B	.822	.802	1.002	.990	1.121	1.224	1.194	.770	.760	.407	.387
-12	F12N7699-1216	.7500-16UNJF-3B	.951	.921	1.064	1.052	1.191	1.283	1.253	.915	.905	.450	.430
-14	F12N7699-1414	.8750-14UNJF-3B	1.058	1.028	1.252	1.239	1.403	1.495	1.465	1.065	1.055	.495	.475
-16	F12N7699-1612	1.000-12UNJF-3B	1.202	1.172	1.440	1.427	1.615	1.707	1.677	1.215	1.205	.544	.524

1. MATERIAL: NUT:

1137 PER AMS 5024

11L37 PER AMS 5020

WASHER:

ALUMINUM ALLOY 2024-T4 QQ-A-225

ALUMINUM ALLOY 7075-T6 QQ-A-250

2. FINISH: NUT:

CADMIUM PLATE PER QQ-P-416 TYPE II, CLASS 2.

WASHER:

ALODINE MIL-C-5541

3. LOCKING INSERT: GREEN NYLON IN ACCORDANCE WITH ASTM D4066, GROUP 1, CLASS 1 OR 2.

4. THREADS: MIL-S-8879

5. TEMPERATURE: 250° F.

6. PROCUREMENT SPECIFICATION: MIL-N-25027

GREER

NYLON-INSERT LOCKNUTS

N7699 SERIES

NUT, SELF-LOCKING, CASTELLATED, HEXAGON, COUNTERBORED

MS21224

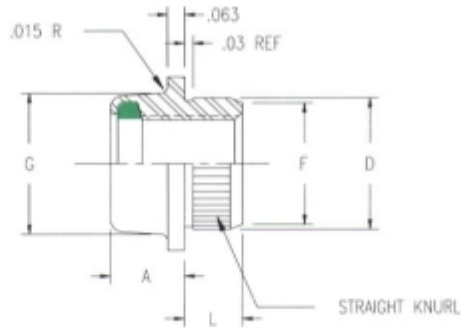
DASH #	GREER PART #	J		K		L	R	WRENCHING & VIBRATION TORQUE	INSTL. ASSEMBLY	LOCKING TORQUE	ULTIMATE TENSILE STRENGTH	WEIGHT
		MAX	MIN	MAX	MIN	MIN	MAX	MIN IN-LB	IN-LB	MAX IN-LB	LBS MIN	LB/100 APPROX
-3	F12N7699-1032	.279	.259		.070	.110		30	20	9	1,000	.91
-4	F12N7699-428	.316	.296	.108	.078	.125	.035	65	45	15	1,800	1.20
-5	F12N7699-524	.347	.327		.078	.125		115	90	25	2,900	1.50
-6	F12N7699-624	.378	.358			.140		200	125	40	4,100	1.90
-7	F12N7699-720	.409	.389	.155	.125	.130	.053	300	225	50	5,000	2.17
-8	F12N7699-820	.472	.452			.150		375	300	75	5,600	3.60
-9	F12N7699-918	.550	.530			.165		500	400	100	7,800	6.20
-10	F12N7699-1018	.633	.613			.170		750	600	150	10,000	10.20
-12	F12N7699-1216	.765	.745	.187	.157	.220	.062	1,400	1,100	200	15,500	11.20
-14	F12N7699-1414	.871	.851			.288		2,400	1,900	300	22,800	17.70
-16	F12N7699-1612	.984	.964			.333		3,800	3,000	400	35,500	27.50

GREER *NYLON-INSERT LOCKNUTS*

ND SERIES

NUT, SELF-LOCKING, SPLINE- GENERAL PURPOSE

MS51866



DASH#	GREER PART#	THREAD MIL-S-8879	A		B DIA		D DIA		F	G	L	
			MAX	MIN	MAX	MIN	MAX	MIN	REF	REF	MAX	MIN
*1	ND8-832	.1640-32 UNJC-3B	.187	.157	.453	.423	.325	.321	.287	.370	.140	.110
	ND10-832										.171	.141
*3	ND12-832										.203	.173
	ND14-832										.234	.204
	ND16-832										.265	.235
	ND18-832										.296	.266
	ND20-832										.328	.298
*8	ND8-1032	.1900-32 UNJF-3B	.187	.157	.453	.423	.325	.321	.287	.370	.140	.110
	ND10-1032										.171	.141
*10	ND12-1032										.203	.173
	ND14-1032										.234	.204
	ND16-1032										.265	.235
	ND18-1032										.296	.266
	ND20-1032										.328	.298
*14	ND24-1032	.391	.361									
	ND8-428	.2500-28 UNJF-3B	.203	.173	.578	.548	.388	.384	.350	.438	.140	.110
	ND10-428										.171	.141
*18	ND12-428										.203	.173
	ND14-428										.234	.204
*20	ND16-428										.265	.235
	ND18-428										.296	.266
	ND20-428										.328	.298
*23	ND24-428	.391	.361									
	ND28-428	.453	.423									
	ND8-524	.3125-24 UNJF-3B	.249	.219	.640	.610	.446	.450	.412	.500	.140	.110
	ND10-524										.171	.141
*27	ND12-524										.203	.173
	ND14-524										.234	.204
*29	ND16-524										.265	.235
	ND18-524										.296	.266
	ND20-524										.328	.298
*32	ND24-524	.391	.361									
	ND32-524	.515	.485									

GREER *NYLON-INSERT LOCKNUTS*

ND SERIES

NUT, SELF-LOCKING, SPLINE-GENERAL PURPOSE

MS51866

DASH#	GREER PART#	THREAD MIL-S-8879	A		B DIA		D DIA		F REF	G REF	L	
			MAX	MIN	MAX	MIN	MAX	MIN			MAX	MIN
	ND10-624	.3750-24 UNJF-3B	.296	.266	.703	.673	.513	.509	.475	.570	.171	.141
*35	ND12-624										.203	.173
	ND14-624										.234	.204
*37	ND16-624										.265	.235
	ND20-624										.328	.298
*39	ND24-624										.391	.361
	ND28-624										.453	.423
	ND32-624										.515	.485
	ND16-720	.4375-20 UNJF-3B	.374	.344	.765	.735	.575	.571	.537	.660	.265	.235
*43	ND22-720										.359	.329
*44	ND28-720										.453	.423
	ND36-720										.578	.548
	ND22-820	.5000-20 UNJF-3B	.390	.360	.890	.860	.700	.696	.662	.770	0.359	.329
*47	ND24-820										.391	.361
*48	ND28-820										.453	.423
	ND36-820										.578	.548

*PARTS CALLED OUT IN MS51866.

- MATERIAL: 11L37 PER AMS 5020
12L14 PER SAE J403
- FINISH: CADMIUM PLATE PER QQ-P-416 TYPE II, CLASS 3.
- LOCKING INSERT: GREEN NYLON IN ACCORDANCE WITH ASTM D4066, GROUP 1, CLASS 1 OR 2.
- THREADS: THREADS SHALL BE "RIGHT-HAND", UNIFIED COARSE IN ACCORDANCE WITH H-28, CLASS 3B FIT EXCEPT THAT A MINOR DIAMETER REQUIREMENTS OF MIL-S-8879 MAY APPLY.
- TEMPERATURE: 250° F.
- PROCUREMENT SPECIFICATION: MIL-N-45913

RECOMMENDED HOLE SIZE		
	MAX	MIN
832	.316	.312
1032	.316	.312
428	.379	.375
524	.441	.437
624	.504	.500
720	.566	.562
820	.691	.687

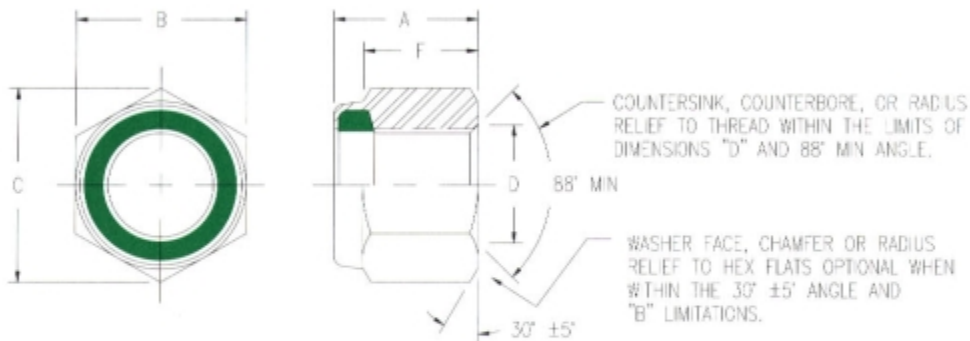
GREER

NYLON-INSERT LOCKNUTS

NM/NE SERIES

NUT, SELF-LOCKING

NAS1021



DASH#	GREER PART#	THREAD MIL-S-8879	A		B		C REF	D		F MIN	BEARING SURFACE SQUARENESS
			MAX	MIN	MAX	MIN		MAX	MIN		
04	NM-440	.1120-40 UNJC-3B	.157	.133	.252	.240	.290	.151	.121	.044	PER MIL-N-25027
06	NM-632	.1380-32 UNJC-3B	.188	.168	.314	.302	.360	.176	.146	.061	
08	NM-832	.1640-32 UNJC-3B	.250	.219	.346	.334	.390	.203	.173	.091	
3	NM-1032	.1900-32 UNJF-3B	.250	.229	.377	.365	.430	.230	.200	.085	
4	NE-428	.2500-28 UNJF-3B	.328	.298	.439	.430	.506	.293	.263	.116	
5	NE-524	.3125-24 UNJF-3B	.359	.329	.502	.492	.580	.356	.326	.123	
6	NE-624	.3750-24 UNJF-3B	.468	.438	.564	.553	.650	.418	.388	.153	
7	NE-720U	.4375-20 UNJF-3B	.468	.438	.690	.679	.790	.478	.448	.168	
8	NE-820	.5000-20 UNJF-3B	.609	.579	.752	.741	.870	.551	.521	.221	
9	NE-918	.5625-18 UNJF-3B	.704	.626	.877	.865	1.010	.614	.584	.243	
10	NE-1018	.6250-18 UNJF-3B	.786	.735	.940	.928	1.080	.676	.646	.274	
12	NE-1216	.7500-16 UNJF-3B	.891	.860	1.064	1.052	1.230	.807	.777	.316	
14	NE-1414	.8750-14 UNJF-3B	1.016	.969	1.252	1.239	1.440	.933	.903	.570	
16	NE-1612	1.0000-12 UNJF-3B	1.141	1.016	1.440	1.427	1.660	1.059	1.029	.635	
17	NE-1614	1.0000-14 UNJS-3B	1.141	1.016	1.440	1.427	1.660	1.059	1.029	.635	
18	NE-1812	1.1250-12 UNJF-3B	1.266	1.141	1.627	1.614	1.880	1.186	1.156	.710	
20	NE-2012	1.2500-12 UNJF-3B	1.454	1.360	1.815	1.801	2.090	1.310	1.280	.795	

- MATERIAL: 1018 PER ASTM A29
1035 PER ASTM A29
11L37 PER AMS 5020.
12L14 PER SAE J403.
303 (UNS S30300)
2014-T6 PER QQ-A-200/2
2017-T4 PER QQ-A-225/5
CA 360 (UNS C3600)
- FINISH: STEEL AND BRASS NUTS - CADMIUM PLATED IN ACCORDANCE WITH QQ-P-416, TYPE II, CLASS 2.
CORROSION RESISTANT STEEL NUTS - PASSIVATE IN ACCORDANCE WITH QQ-P-35.
ALUMINUM ALLOY NUTS - ANODIZE OR CHEMICALLY SURFACE TREAT IN ACCORDANCE WITH PROCUREMENT SPECIFICATION.
ALUMINUM ALLOY NUTS - IN SIZES THRU .2500-28 DYED BLUE PER PROCUREMENT SPECIFICATION.

GREER

NYLON-INSERT LOCKNUTS

NM/NE SERIES

NUT, SELF-LOCKING

NAS1021

- 3. LOCKING INSERT: GREEN NYLON IN ACCORDANCE WITH ASTM D4066, GROUP 1, CLASS I OR II.
- 4. THREADS: MIL-S-8879.
- 5. TEMPERATURE: 250° F.
- 6. PROCUREMENT SPECIFICATION: MIL-N-25027 WHERE APPLICABLE.

DASH NUMBERS			GREER PART #	THREAD MIL-S-8879	AXIAL STRENGTH (LB/MIN)			WEIGHT, LB/100 REF		
NYLON-INSERT					STEEL	GRES	AL ALLOY	STEEL	COPPER BASE ALLOY	AL ALLOY
STEEL	COPPER BASE ALLOY	AL ALLOY								
N04	B04	D04	NM-440	.1120-40 UNJC-3B	750	750	750	.15	.16	.06
N06	B06	D06	NM-632	.1380-32 UNJC-3B	1,130	1,130	1,130	.30	.32	.11
N08	B08	D08	NM-832	.1640-32 UNJC-3B	1,720	1,720	1,720	.50	.54	.18
N3	B3	D3	NM-1032	.1900-32 UNJF-3B	2,460	2,460	2460	.58	.63	.21
N4	B4	D4	NE-428	.2500-28 UNJF-3B	4,580	4,580	4,580	.99	1.10	.36
N5	B5	D5	NE-524	.3125-24 UNJF-3B	7,390	7,390	3,670	1.40	1.50	.50
N6	B6	D6	NE-624	.3750-24 UNJF-3B	11,450	11,450	5,680	2.15	2.30	.78
N7	B7	D7	NE-720	.4375-20 UNJF-3B	15,450	15,450	7,660	3.40	3.70	1.20
N8	B8	D8	NE-820	.5000-20 UNJF-3B	21,110	21,110	10,470	4.70	5.10	1.70
N9	B9	D9	NE-918	.5625-18 UNJF-3B	26,810	26,810	13,330	7.80	8.50	2.80
N10	B10	D10	NE-1018	.6250-18 UNJF-3B	34,130	34,130	16,930	9.50	10.30	3.40
N12	B12	D12	NE-1216	.7500-16 UNJF-3B	50,020	50,020	24,810	13.60	15.00	5.00
N14	B14	D14	NE-1414	.8750-14 UNJF-3B	68,440	68,440	33,950	21.00	23.00	7.60
N16	B16	D16	NE1612	1.0000-12 UNJF-3B	92,180	92,180	45,720	31.00	33.00	11.00
N17	B17	D17	NE-1614	1.0000-14 UNJS-3B	92,180	92,180	45,720	31.00	33.00	11.00
N18	B18	D18	NE-1812	1.1250-12 UNJF-3B	116,700	116,700	57,880	46.00	50.00	17.00
N20	B20	D20	NE-2012	1.2500-12 UNJF-3B	147,940	147,940	73,880	65.00	70.00	24.00

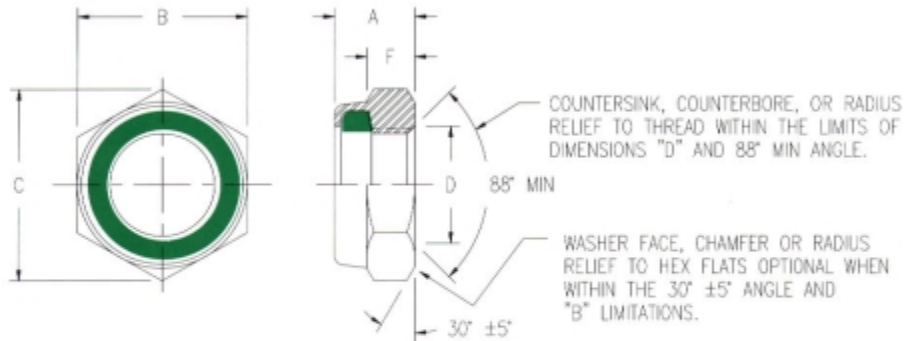
GREER

NYLON-INSERT LOCKNUTS

NTM/NTE SERIES

NUT, SELF-LOCKING, HEXAGON, THIN

NAS1022



DASH#	GREER PART#	THREAD MIL-S-8879	A		B		C	D		F	BEARING SURFACE SQUARENESS
			MAX	MIN	MAX	MIN	REF	MAX	MIN	MIN	
04	NTM-440	.1120-40 UNJC-3B	.125	.094	.251	.243	.268	.151	.141	.031	PER MIL-N-25027
06	NTM-632	.1380-32 UNJC-3B	.141	.110	.314	.302	.360	.176	.146	.047	
08	NTM-832	.1640-32 UNJC-3B	.188	.157	.346	.334	.390	.203	.173	.062	
3	NTM-1032	.1900-32 UNJF-3B	.188	.157	.377	.365	.430	.230	.200	.062	
4	NTE-428	.2500-28 UNJF-3B	.219	.188	.439	.430	.506	.293	.263	.062	
5	NTE-524	.3125-24 UNJF-3B	.266	.235	.502	.492	.580	.356	.326	.094	
6	NTE-624	.3750-24 UNJF-3B	.282	.251	.564	.553	.650	.418	.388	.094	
7	NTE-720U	.4375-20 UNJF-3B	.328	.298	.690	.679	.790	.478	.448	.109	
8	NTE-820	.5000-20 UNJF-3B	.328	.298	.752	.741	.870	.551	.521	.109	
9	NTE-918	.5625-18 UNJF-3B	.375	.344	.877	.865	1.010	.614	.584	.125	
10	NTE-1018	.6250-18 UNJF-3B	.407	.376	.940	.928	1.080	.676	.646	.156	
12	NTE-1216	.7500-16 UNJF-3B	.422	.391	1.064	1.052	1.230	.807	.777	.172	
14	NTE-1414	.8750-14 UNJF-3B	.485	.454	1.252	1.239	1.440	.933	.903	.203	
16	NTE-1612	1.0000-12 UNJF-3B	.578	.516	1.440	1.427	1.660	1.059	1.029	.250	
17	NTE-1614	1.0000-14 UNJS-3B	.578	.516	1.440	1.427	1.660	1.059	1.029	.250	
18	NTE-1812	1.1250-12 UNJF-3B	.672	.610	1.627	1.614	1.880	1.186	1.156	.313	
20	NTE-2012	1.2500-12 UNJF-3B	.766	.703	1.815	1.801	2.090	1.310	1.280	.328	

- MATERIAL:
 - 1018 PER ASTM A29
 - 1035 PER ASTM A29
 - 11L37 PER AMS 5020
 - 12L14 PER SAE J403
 - 303 (UNS S30300)
 - 2014-T6 PER QQ-A-200/2
 - 2017-T4 PER QQ-A-225/5
 - CA 360 (UNS C3600)
- FINISH:
 - STEEL AND BRASS NUTS - CADMIUM PLATED IN ACCORDANCE WITH QQ-P-416, TYPE II, CLASS 2.
 - CORROSION RESISTANT STEEL NUTS - PASSIVATE IN ACCORDANCE WITH QQ-P-35.
 - ALUMINUM ALLOY NUTS - ANODIZE OR CHEMICALLY SURFACE TREAT IN ACCORDANCE WITH PROCUREMENT SPECIFICATION.
 - ALUMINUM ALLOY NUTS - IN SIZES THRU .2500-28 DYED BLUE PER PROCUREMENT SPECIFICATION.

GREER

NYLON-INSERT LOCKNUTS

NTM/NTE SERIES

NUT, SELF-LOCKING, HEXAGON, THIN

NAS1022

- 3. LOCKING INSERT: GREEN NYLON IN ACCORDANCE WITH ASTM D4066, GROUP 1, CLASS I OR II.
- 4. TREADS: MIL-S-8879
- 5. TEMPERATURE: 250°F
- 6. PROCUREMENT SPECIFICATION: MIL-N-25027 WHERE APPLICABLE.

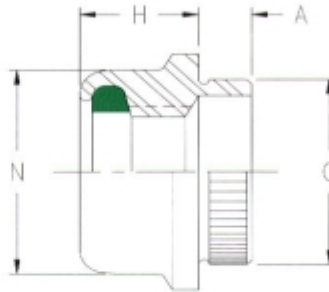
DASH NUMBERS NYLON-INSERT			GREER PART #	THREAD MIL-S-8879	AXIAL STRENGTH (LB MIN)		WEIGHT LB/100 REF		
STEEL	AL ALLOY	COPPER BASE ALLOY			STEEL	AL ALLOY	AL ALLOY	STEEL	COPPER BASE ALLOY
N04	B04	D04	NTM-440	.1120-40 UNJC-3B	230	230	.05	.16	.17
N06	B06	D06	NTM-632	.1380-32 UNJC-3B	530	530	.09	.25	.27
N08	B08	D08	NTM-832	.1640-32 UNJC-3B	840	840	.14	.40	.43
N3	B3	D3	NTM-1032	.1900-32 UNJF-3B	1,230	1,230	.16	.46	.50
N4	B4	D4	NTE-428	.2500-28 UNJF-3B	2,290	1,145	.23	.66	.71
N5	B5	D5	NTE-524	.3125-24 UNJF-3B	3,690	1,845	.37	1.05	1.13
N6	B6	D6	NTE-624	.3750-24 UNJF-3B	5,680	2,840	.43	1.20	1.30
N7	B7	D7	NTE-720	.4375-20 UNJF-3B	7,680	3,840	.46	1.29	1.39
N8	B8	D8	NTE-820	.5000-20 UNJF-3B	10,440	5,220	.93	2.60	2.80
N9	B9	D9	NTE-918	.5625-18 UNJF-3B	13,280	6,640	1.60	4.50	4.86
N10	B10	D10	NTE-1018	.6250-18 UNJF-3B	16,880	8,440	1.82	5.10	5.50
N12	B12	D12	NTE-1216	.7500-16 UNJF-3B	24,680	12,340	2.43	6.80	7.34
N14	B14	D14	NTE-1414	.8750-14 UNJF-3B	33,800	16,900	3.71	10.40	11.23
N16	B16	D16	NTE-1612	1.0000-12 UNJF-3B	43,900	21,950	6.42	18.00	19.44
N17	B17	D17	NTE-1614	1.0000-14 UNJS-3B	43,900	21,950	6.42	18.00	19.44
N18	B18	D18	NTE-1812	1.1250-12 UNJF-3B	57,200	28,600	8.92	25.00	27.00
N20	B20	D20	NTE-2012	1.2500-12 UNJF-3B	72,000	36,000	12.85	36.00	38.88

GREER *NYLON-INSERT LOCKNUTS*

NCFMA SERIES

NUT, SELF-LOCKING, CLINCH, SWAGE-CLINCHING, KNURLED SHANK

MIL-N-45938/5



DASH #		GREER PART#	THREAD MIL-S-7742	A		N		C DIA		H		W DIA	
CARBON STEEL	CRES			MAX	MIN	MAX	MIN	MAX	MIN	MAX	MIN	MAX	MIN
				1	1C	NCFMA1-256	.086-56UNC	.043	.037	.150	.140	.131	.127
2	2C	NCFMA2-256	.086-56UNC	.063	.057	.150	.140	.131	.127	.085	.065	.177	.167
3	3C	NCFMA1-440	.112-40UNC	.043	.037	.182	.172	.162	.158	.100	.080	.208	.198
4	4C	NCFMA2-440	.112-40UNC	.063	.057	.182	.172	.162	.158	.100	.080	.208	.198
5	5C	NCFMA1-632	.138-32UNC	.043	.037	.242	.232	.194	.190	.140	.120	.286	.276
6	6C	NCFMA2-632	.138-32UNC	.063	.057	.242	.232	.194	.190	.140	.120	.286	.276
7	7C	NCFMA2-832	.164-32UNC	.063	.057	.268	.258	.225	.221	.170	.150	.317	.307
8	8C	NCFMA2-1032	.190-32UNF	.063	.057	.287	.277	.256	.252	.189	.169	.349	.339

- MATERIAL: 12L14 PER SAE J403
303 CORROSION RESISTANT STEEL (UNS S30300)
4140 PER ASTM A322
- FINISH: CADMIUM PLATE PER QQ-P-416
CORROSION RESISTANT STEEL PASSIVATE PER QQ-P-35
- LOCKING INSERT: GREEN NYLON IN ACCORDANCE WITH ASTM D4066, GROUP 1, CLASS I OR II.
- THREADS: MIL-S-7742
- TEMPERATURE: 250° F.
- PROCUREMENT SPECIFICATION: MIL-N-45938

GREER *NYLON-INSERT LOCKNUTS*

NCFMA SERIES

NUT, SELF-LOCKING, CLINCH, SWAGE-CLINCHING, KNURLED SHANK

MIL-N-45938/5

DASH #		GREER PART#	THREAD MIL-S-7742	SHEET THICKNESS	HOLE SIZE IN SHEET		PUSH-OUT LBS-MIN	TORQUE-OUT IN.-LBS, MIN	APPROX. INSTALLATION FORCE-LBS
CARBON STEEL	CRES								
1	1C	NCFMA1-256	.086-56UNC	.030-.045	.126	.124	20	5	300
2	2C	NCFMA2-256	.086-56UNC	.046-UP	.126	.124	20	5	300
3	3C	NCFMA1-440	.112-40UNC	.030-.045	.157	.155	40	5	600
4	4C	NCFMA2-440	.112-40UNC	.046-UP	.157	.155	40	5	600
5	5C	NCFMA1-632	.138-32UNC	.030-.045	.189	.187	60	8	750
6	6C	NCFMA2-632	.138-32UNC	.046-UP	.189	.187	60	8	750
7	7C	NCFMA2-832	.164-32UNC	.046-UP	.220	.218	80	12	1000
8	8C	NCFMA2-1032	.190-32UNF	.046-UP	.251	.249	100	15	1500

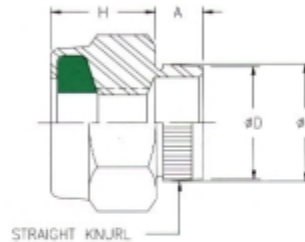
GREER

NYLON-INSERT LOCKNUTS

NC SERIES

NUT, SELF-LOCKING, CLINCH, SWAGE-CLINCHING, KNURLED SHANK

MIL-N-45938/8A



DASH #			GREER PART#	THREAD MIL-S-7742	A		C		D		F		H	
CARBON STEEL	CRES	AL ALLOY			MAX	MIN	MAX	MIN	MAX	MIN	MAX	MIN	MAX	MIN
10	10C	10A	NC1-440		.069	.057								
1	1C	1A	NC2-440	.112-40 UNJC-3B	.091	.079	.191	.187	.183	.180	.260	.240	.156	.126
11	11C	11A	NC3-440		.111	.099								
20	20C	20A	NC1-632		.069	.057								
21	21C	21A	NC2-632		.091	.079								
2	2C	2A	NC3-632	.138-32 UNJC-3B	.111	.099	.224	.220	.216	.213	.322	.302	.203	.173
3	3C	3A	NC4-632		.141	.129								
30	30C	30A	NC5-632		.171	.159								
31	31C	31A	NC6-632		.201	.189								
32	32C	32A	NC2-832		.091	.079								
33	33C	33A	NC3-832		.111	.099								
34	34C	34A	NC4-832	.164-32 UNJC-3B	.141	.129	.277	.273	.267	.264	.385	.365	.265	.235
35	35C	35A	NC5-832		.171	.159								
36	36C	36A	NC6-832		.201	.189								
4	4C	4A	NC4-1024		.141	.129								
5	5C	5A	NC5-1024	.190-24 UNJC-3B	.171	.159	.277	.273	.267	.264	.385	.365	.265	.235
50	50C	50A	NC6-1024		.201	.189								
6	6C	6A	NC5-420	.250-20 UNJC-3B	.171	.159	.361	.357	.351	.348	.448	.428	.328	.298
7	7C	7A	NC6-420		.201	.189								

- MATERIAL: 12L14 PER SAE J403
303 CORROSION RESISTANT STEEL (UNS S30300)
ALUMINUM 2017-T4 OR 2014-T6 PER ASTM B211
- FINISH: CADMIUM PLATE IN ACCORDANCE WITH QQ-P-416
PASSIVATE PER QQ-P-35
ANODIZE ON ACCORDANCE WITH MIL-A-8625
- LOCKING INSERT: GREEN NYLON IN ACCORDANCE WITH ASTM D4066, GROUP 1, CLASS I OR II.
- THREADS: MIL-S-7742
- TEMPERATURE: 250° F
- PROCUREMENT SPECIFICATION: MIL-N-45938

GREER

NYLON-INSERT LOCKNUTS

NC SERIES

NUT, SELF-LOCKING, CLINCH, SWAGE-CLINCHING, KNURLED SHANK

MIL-N-45938/8A

DASH #			GREER PART#	THREAD MIL-S-7742	SHEET THICKNESS	HOLE SIZE IN SHEET		PUSH-OUT LBS-MIN	TORQUE-OUT IN.-LBS, MIN
CARBON STEEL	CRES	AL ALLOY							
10	10C	10A	NC1-440	.112-40 UNJC-3B	.020 TO .031	.186	.184	80	10
1	1C	1A	NC2-440		.032 TO .053				
11	11C	11A	NC3-440		.054 TO .073				
20	20C	20A	NC-1632	.138-32 UNJC-3B	.020 TO .031	.219	.217	120	15
21	21C	21A	NC2-632		.032 TO .053				
2	2C	2A	NC3-632		.054 TO .073				
3	3C	3A	NC4-632		.074 TO .103				
30	30C	30A	NC5-632		.104 TO .133				
31	31C	31A	NC6-632		.134 TO .163				
32	32C	32A	NC2-832	.164-32 UNJC-3B	.032 TO .053	.271	.268	140	20
33	33C	33A	NC3-832		.054 TO .073				
34	34C	34A	NC4-832		.074 TO .103				
35	35C	35A	NC5-832		.104 TO .133				
36	36C	36A	NC6-832		.134 TO .163				
4	4C	4A	NC4-1024	.190-24 UNJC-3B	.074 TO .103	.271	.268	200	30
5	5C	5A	NC5-1024		.104 TO .133				
50	50C	50A	NC6-1024		.134 TO .163				
6	6C	6A	NC5-420	.250-20 UNJC-3B	.104 TO .133	.355	.352	250	50
7	7C	7A	NC6-420		.134 TO .163				

MAXIMUM INSTALLATION FORCE LB			
THREAD SIZE	AL NUT	CRES NUT	STEEL NUT
.112-40 UNJC-3B	1400	1900	1400
.138-32 UNJC-3B	1900	3000	1900
.164-32 UNJC-3B	2100	4000	2100
.190-24 UNJC-3B	2100	4000	2100
.250-20 UNJC-3B	4000	4300	4000

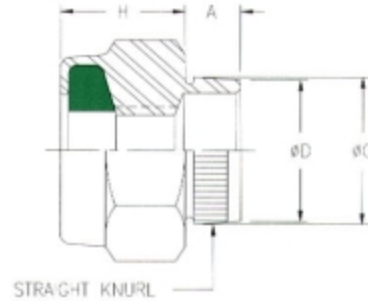
GREER

NYLON-INSERT LOCKNUTS

NC SERIES

NUT, SELF-LOCKING, CLINCH, SWAGE-CLINCHING, KNURLED SHANK

MIL-N-45938/9A



DASH #			GREER PART#	THREAD MIL-S-7742	A		C		D		F		H	
CRES	AL ALLOY	STEEL			MAX	MIN	MAX	MIN	MAX	MIN	MAX	MIN	MAX	MIN
2	2A	2G	NC3-1032	.111	.099									
21	21A	21G	NC4-1032	.141	.129									
22	22A	22G	NC5-1032	.171	.159									
23	23A	23G	NC6-1032	.201	.189	.361	.357	.351	.348	.448	.428	.328	.298	
3	3A	3G	NC4-428	.141	.129									
4	4A	4G	NC5-428	.171	.159									
5	5A	5G	NC6-428	.201	.189	.418	.414	.407	.404	.510	.490	.359	.329	
6	6A	6G	NC4-524	.141	.129									
7	7A	7G	NC5-524	.171	.159									
8	8A	8G	NC6-524	.201	.189									

- MATERIAL: 12L14 PER SAE J403
303 CORROSION RESISTANT STEEL (UNS S30300)
ALUMINUM 2017-T4 OR 2014-T6 PER ASTM B211
- FINISH: CADMIUM PLATE IN ACCORDANCE WITH QQ-P-416
PASSIVATE PER QQ-P-35
ANODIZE ON ACCORDANCE WITH MIL-A-8625
- LOCKING INSERT: GREEN NYLON IN ACCORDANCE WITH ASTM D4066, GROUP 1, CLASS I OR II.
- THREADS: MIL-S-7742
- TEMPERATURE: 250° F

GREER

NYLON-INSERT LOCKNUTS

NC SERIES

NUT, SELF-LOCKING, CLINCH, SWAGE-CLINCHING, KNURLED SHANK

MIL-N-45938/9A

DASH #			GREER PART#	THREAD MIL-S-7742	SHEET THICKNESS	HOLE SIZE IN SHEET		PUSH-OUT LBS-MIN	TORQUE-OUT IN.-LBS, MIN
CRES	AL ALLOY	STEEL							
20	20A	20G	NC2-1032	.190-32 UNJF-3B	.032 TO .053	.271	.268	200	30
2	2A	2G	NC3-1032		.054 TO .073				
21	21A	21A	NC4-1032		.074 TO .103				
22	22A	22A	NC5-1032		.104 TO .133				
23	23A	23A	NC6-1032		.134 TO .163				
3	3A	3A	NC4-428	.250-28 UNJF-3B	.074 TO .103	.355	.352	250	50
4	4A	4A	NC5-428		.104 TO .133				
5	5A	5A	NC6-428		.134 TO .163				
6	6A	6A	NC4-524	.3125-24 UNJF-3B	.074 TO .103	.412	.408	400	110
7	7A	7A	NC5-524		.104 TO .133				
8	8A	8A	NC6-524		.134 TO .163				

MAXIMUM INSTALLATION FORCE LB			
THREAD SIZE	AL NUT	CRES NUT	STEEL NUT
.190-32 UNJF-3B	2100	4000	2100
.250-28 UNJF-3B	4000	4300	4000
.3125-24 UNJF-3B	4500	4500	4500

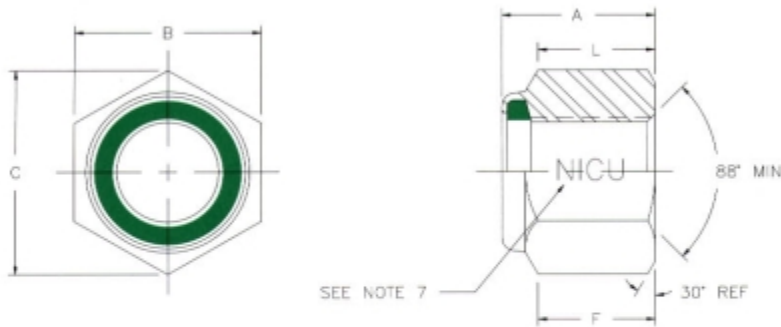
GREER

NYLON-INSERT LOCKNUTS

NU SERIES

NUT, SELF-LOCKING, HEXAGON, HEAVY

MIL-N-25027/1



DASH#	GREER PART#	THREAD MIL-S-8879	A		B		L REF	C MIN	F MIN	BEARING SURFACE SQUARENESS
			MAX	MIN	MAX	MIN				
4C	NU-420	.2500-20 UNJC-3B	.390	.360	.504	.492	.230	.552	.290	.007
5C	NU-518	.3125-18 UNJC-3B	.453	.423	.566	.553	.260	.622	.335	.007
6C	NU-616	.3750-16 UNJC-3B	.562	.532	.692	.679	.354	.766	.392	.008
8C	NU-813	.5000-13 UNJC-3B	.718	.688	.880	.865	.482	.978	.544	.009
10C	NU-1011	.6250-11 UNJC-3B	.874	.844	1.068	1.052	.593	1.191	.677	.010
12C	NU-1210	.7500-10 UNJC-3B	1.015	.985	1.257	1.239	.761	1.403	.790	.010
14C	NU-1409	.8750-9 UNJC-3B	1.140	1.110	1.446	1.427	.872	1.615	.883	.011
16C	NU-1608	1.0000-8 UNJC-3B	1.312	1.250	1.634	1.614	.920	1.826	1.000	.012
18C	NU-1807	1.1250-7 UNJC-3B	1.469	1.407	1.822	1.801	1.038	2.038	1.096	.013
20C	NU-2007	1.2500-7 UNJC-3B	1.672	1.610	2.011	1.973	1.190	2.232	1.250	.014
22C	NU-2206	1.3750-6 UNJC-3B	1.828	1.766	2.200	2.159	1.328	2.444	1.376	.015
24C	NU-2406	1.5000-6 UNJC-3B	1.953	1.891	2.388	2.344	1.376	2.622	1.413	.016
28C	NU-2805	1.7500-5 UNJC-3B	2.376	2.250	2.766	2.715	1.707	3.075	1.830	.018
32C	NU-3204.5	2.0000-4½ UNC-3B	2.469	2.343	3.142	3.086	1.816	3.497	1.750	.020
36C	NU-3604	2.2500-4½ UNC-3B	2.876	2.780	3.518	3.457	2.073	3.918	2.063	.020
40C	NU-4004	2.5000-4 UNC-3B	3.204	3.078	4.020	3.875	2.381	4.393	2.475	.020

1. MATERIAL: NICKEL-COPPER-ALLOY PER QQ-N-281
2. FINISH: PLAIN
3. LOCKING INSERT: GREEN NYLON IN ACCORDANCE WITH ASTM D4066, GROUP 1 CLASS I OR II.
4. THREADS: THREADS SHALL BE "RIGHT-HAND", UNIFIED COARSE OR UNIFIED FINE IN ACCORDANCE WITH H-28, CLASS 3B FIT EXCEPT THAT A MINOR DIAMETER REQUIREMENT OF MIL-S-8879 MAY APPLY.
5. TEMPERATURE: 250° F
6. PROCUREMENT SPECIFICATION: MIL-N-25027 WHERE APPLICABLE.
7. THREAD SIZE 1/4" AND LARGER SHALL BE MARKED USING THE SYMBOL "NICU".

MINIMUM AXIAL STRENGTH 1/ (LB)	
4C	6,000
5C	8,600
6C	12,700
8C	24,800
10C	38,300
12C	54,000
14C	73,000
16C	95,800
18C	121,100
20C	146,600
22C	186,000
24C	200,000
28C	205,000
32C	233,000
36C	390,000
40C	500,000

GREER STOP NUT™

also supplies additional varieties of all metal nuts including:



- Conelock
- Huglock
- Marsden
- Customer Blueprint
- Special Hex Nuts
- Heat Treated Grade 8

SPS
TECHNOLOGIES

Greer Stop Nut, Inc. Phone: 615-832-8375

481 McNally Drive
Nashville, TN 37211

Fax: 615-331-0065

Standco Canada, Ltd.
279 Trowers Rd. Unit #1
Woodbridge, Ontario L4L-6A1
Phone: 905-850-6232
FAX: 905-850-1452