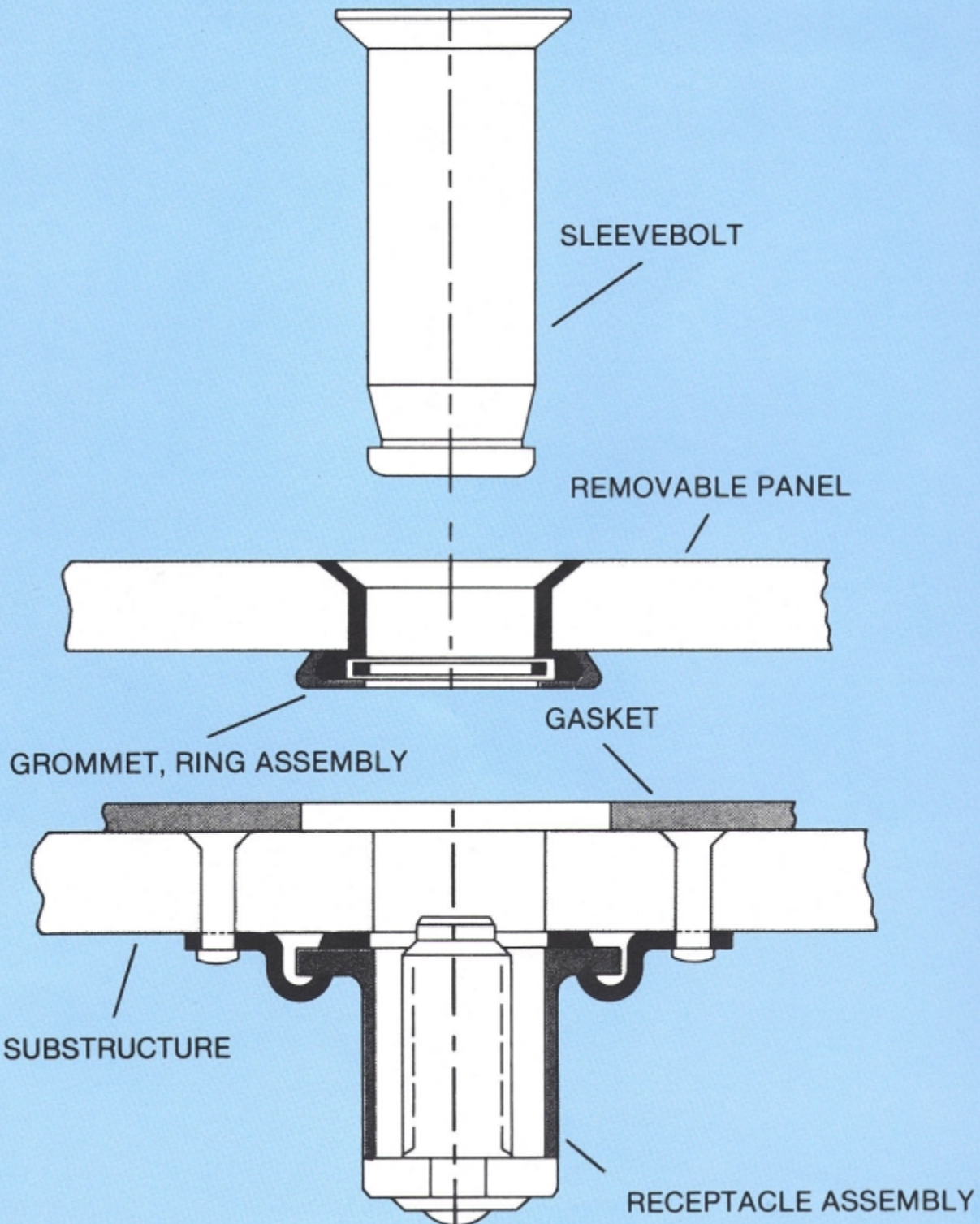


**SERIES 3000<sup>®</sup>**  
STRUCTURAL PANEL FASTENERS



# The SERIES 3000 Panel





# Fastener Features

**500 Reuse Cycles Minimum**

**Positive Hold Out of Sleevebolt**

**Grommet Provides Long Wearing Hole through Panel & is Easily Replaced**

**Grommet Flange Virtually Eliminates Panel Dimpling & Insures Integrity of Environmental Seal**

**Grommet is Compatible with Carbon Epoxy Composite Receptacle Barrel Assembly Easily Replaced Without Rivet Drill-out**

**Single Receptacle Per Diameter & .140 Length Increments Minimize Stocking Requirements**

**Retaining Ring Holds Sleevebolt in Panel Under Severe Vibration Exposure even when Threads are Disengaged from Receptacle Stud**

The SERIES 3000 Panel Fastener is designed primarily for use on structural doors and panels, especially those that are removed and replaced frequently. To meet this requirement, a locking device that will remain usable for at least 500 reuse cycles was developed. Another feature unique to this system is the grommet assembly that contains the retaining ring. This provides positive hold out of the sleevebolt, and essentially insures that there will be no loose sleevebolts to become lost or displaced.

This grommet also provides a permanent liner in the fastener hole, and a rigid member between panel and sub-structure.

This virtually eliminates panel dimpling as the gasket yields under sustained compressive load. The receptacle is a simple three piece design without springs or ratchets. The receptacle barrel sub-assembly may be removed and replaced without drilling out rivets by the use of simple tools designed specifically for this purpose.

Part number selection is simple since the product will accommodate up to .140 inches in joint thickness variation; therefore, fewer sleevebolt part numbers and only one receptacle per diameter is required. For additional information call or write SPS Technologies.



Jenkintown, PA  
(215) 572-3000

Santa Ana, CA  
(714) 545-9311





JENKINTOWN, PENNSYLVANIA



SANTA ANA, CALIFORNIA



**Aerospace Products  
Division**

JENKINTOWN, PENNSYLVANIA 19046  
Highland Avenue  
Telephone: 215-572-3000

SANTA ANA, CALIFORNIA 92702  
2701 South Harbor Boulevard  
Telephone: 714-545-9311